

**RAINWATER HARVESTING
FLAT AND UNDERGROUND TANKS
RAINWATER RETENTION
VOLUME TANKS
BASEMENT TANKS
POTABLE WATER TANKS
PERCOLATION
WASTE WATER TREATMENT
GREYWATER-RECYCLING**

WATER MANAGEMENT

PRIVATE / COMMERCIAL / INDUSTRIAL



www.greenlife.de

TABLE OF CONTENTS

LIVE MORE NATURALLY WITH RAINWATER	4
RAINWATER HARVESTING ECOLOGICAL AND SUSTAINABLE	5
SYSTEMS FOR GARDEN IRRIGATION "BASIC"	10
SYSTEMS FOR GARDEN IRRIGATION "QUICK"	12
SYSTEMS FOR GARDEN IRRIGATION "FIX" WITH FLAT TANK	14
COMPLETE SYSTEMS FOR HOUSE & GARDEN GRM 2.0	16
COMPLETE SYSTEMS FOR HOUSE & GARDEN U 1.1	18
UNDERGROUND TANKS FOR RAINWATER AND DOMESTIC WASTE WATER	20
FLAT TANKS	25
GREENLIFE UNDERGROUND TANKS INSTALLATION MANUAL SYSTEM	26
UNDERGROUND SHAFTS CONTROL, LIFTING, PERCOLATION; DISTRIBUTION SHAFTS	28
VOLUME TANKS GVT FOR VARIOUS APPLICATIONS	30
GROUNDWATER-SUITABLE TANKS FOR WATER-BEARING SOIL	32
BASEMENT TANKS FOR RAINWATER AND POTABLE WATER	33
RAINWATER RETENTION	34

TABLE OF CONTENTS

36	POTABLE WATER TANKS FOR POTABLE WATER STORAGE
37	TECHNIC KITS „U 1.1“ / „GRM 2.0“ / „GRM 3.0“ AUTOMATIC AND MANUAL
40	BIOVITOR
44	RAINWATER FILTERS RELIABLE AND EASY TO MAINTAIN
46	PUMPS
48	ACCESSORIES RELIABLE COMPONENTS
53	PERCOLATION FOR RAINWATER AND TREATED WASTE WATER
56	WASTE WATER / SEPTIC TANKS WITH DIBT-APPROVAL Z-40.24-140
58	WASTE WATER TREATMENT SYSTEM „PREMIUM ECO“ SBR-TECHNOLOGY FOR DISCHARGE CLASSES C AND D
60	GREYWATER-RECYCLING-SYSTEMS BASED ON ULTRAFILTRATION
62	GREYWATER-RECYCLING-SYSTEMS BASED ON FIXED BED REACTOR AND UV-DISINFECTION
64	COMMERCIAL SYSTEMS RAINWATER HARVESTING
65	HYBRID MANAGERS GHM
66	BOOSTER STATIONS

LIVE MORE NATURALLY

WITH RAINWATER

Rainwater is a natural resource. GreenLife's complete systems provide water that meets high hygienic requirements.

- Plants and pets love rainwater supplied directly by nature.
- Water without calcium and chlorine protects household devices, extends their service life and protects nature against many chemicals.
- Natural water is good for washing - no additives and less detergents - improved comfort of wearing clothes washed in natural water.
- With additional equipment it is also possible to supply the household with drinking water.

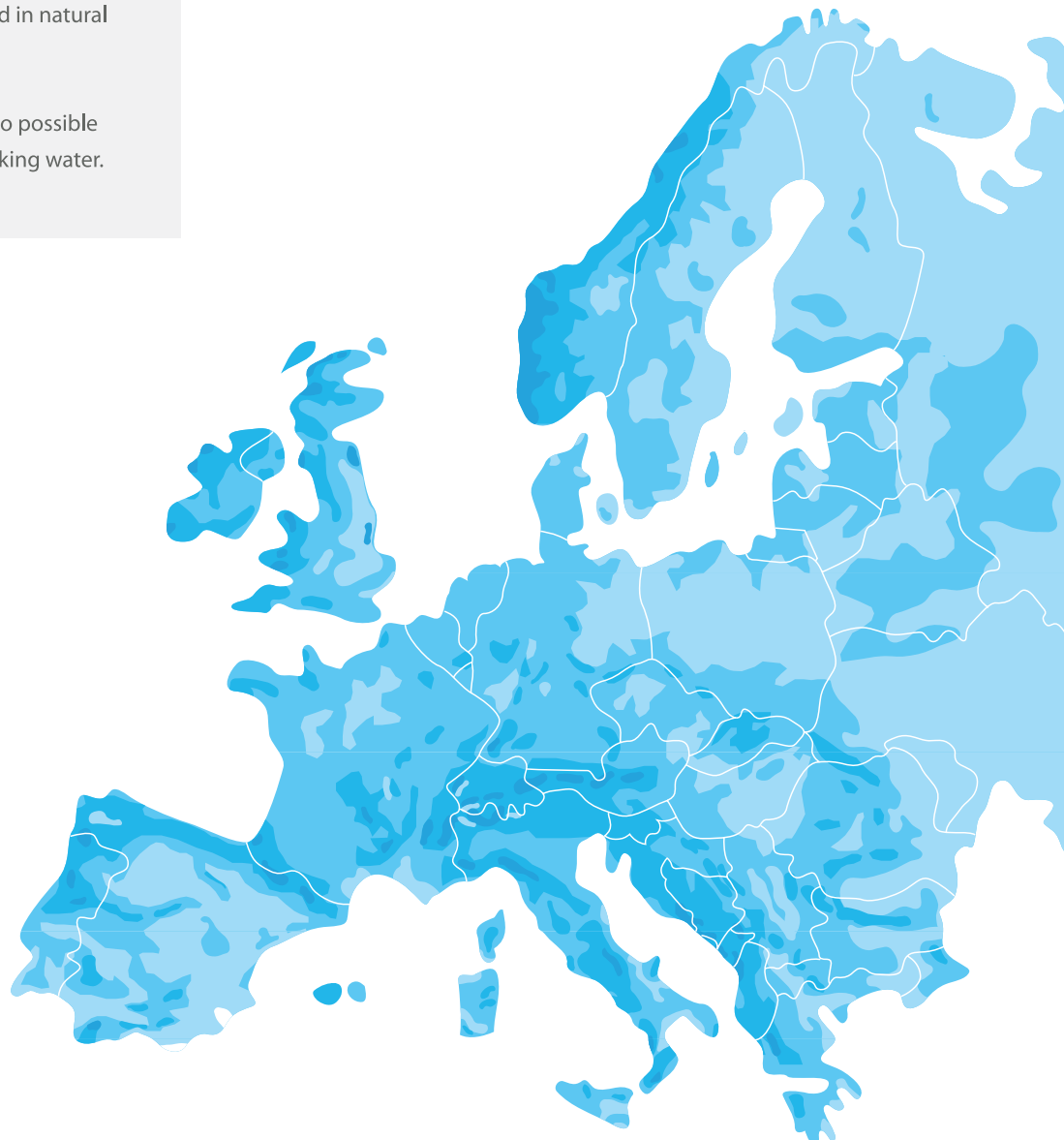
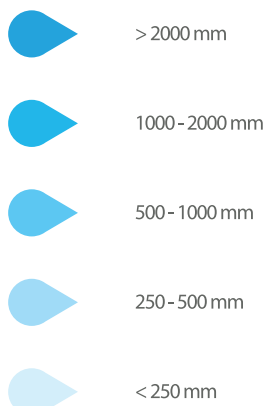
Advantages of using rainwater

They include a significant reduction in consumption of tap water and decreasing related costs, without reducing the actual quantities of water used in the household. Especially important are the advantages of rainwater in terms of its cleanliness and primary structure, contributing to the health of plants, animals and people.

Support for using rainwater

Very often public authorities support private and corporate initiatives to use rainwater or to drain it to the ground in order to relieve wastewater systems and protect groundwater.

Availability of rainwater



RAINWATER HARVESTING

ECOLOGICALLY AND SUSTAINABLE

Rainwater treatment with GreenLife-Biovitor

Modern systems of high quality, such as equipment from GreenLife for harvesting rainwater with 100% efficiency operate on the basis of GreenLife-Biovitor - a purely biological treatment of rainwater. It is a patented technology, focusing on practical use and providing clean, odour-neutral water with no hygiene risk.

Hygiene

Modern devices using rainwater - when expertly manufactured - do not create any hygiene risk and provide clear rainwater that meets the European standards for the supply of water for bathing.

Safety

Safety of the target use of rainwater in the household or in a business is provided by a separate system of using rainwater without direct connection to the public water supply network (DIN 1988, Part 100).

Rainwater is more than just a substitute:

- laundry: soft, clean, white without rinsing agents and with less detergents
- rainwater does not contain calcium (scale) and its use prevents scaling of washing machines, scaled edges of toilets and sinks, so its naturally saves a lot of cleaning chemicals
- cleaning - after drying there are no limescales
- sensitive skin tolerate rainwater better
- pets also enjoy pure rainwater
- garden irrigation - plants inherently better tolerate soft rainwater

With a reduced consumption of tap water reaching approx. 50%, the user may achieve annual savings that within a few years will pay back the costs of the equipment for using rainwater and will permanently contribute to environmental protection.



RAINWATER HARVESTING

ECOLOGICALLY AND SUSTAINABLE

Convincing advantages:

- series with a telescopic dome *
- and the cover (resistant to loads exerted by walking people and moving cars**)
- horizontal and vertical adjustment to the terrain
- manhole with a diameter of 600 mm, according to DIN 1989
- continuously controlled quality
- high dimensional stability
- plug inlet, overflow and household connections
- impervious to light
- UV-resistance provides constant material quality
- 100% recyclable

Option

- with Biovitor, overflow siphon and protection against animals

Due to their high quality, all underground tanks may be used as septic tanks.

Rotational molding technology

- stress-free, seamless, one-piece production
- large wall thickness
- high dimensional stability
- best quality GreenLife stabilizing profiles

Consistent quality management, new technologies and the best materials ensure that underground tanks and shafts produced by GreenLife meet the highest requirements. We offer our customers a 15-year material guarantee on our underground tanks provided proper use and installation in accordance with the manual. Details and accessories are excluded from the guarantee, even if their price is included in the price of the set.

Important: Underground tanks must be emptied in case of freezing danger. When the presence of groundwater, water layers or aquifers is suspected in the vicinity of the tank, please contact us before the purchase.

We reserve the right to introduce amendments due to technological progress and changes in individual articles correction of misprints. Photos and drawings are non-binding. Due to technological reasons, deviations may occur from quantities, weight and colours. Please ask your local retailer about the terms of delivery.

GREENLIFE GMBH

OUR PHILOSOPHY



Our company operates with the highest possible environmental awareness.

Roofs of our buildings collect rainwater, which is treated and stored in underground tanks made of plastic. In this way, we provide ourselves with self-sufficient, individual water supply. Our offices and production facilities are supplied entirely with treated rainwater, our toilets are flushed only with recycled greywater. Rainwater in our area are retained as much as possible.

We try to run our production in the most climate-neutral way. Heat demand of buildings are covered with the surplus of heat generated in the production process or by heat collecting heat from the air. Our company is located in the drinking water protection zone.

What we do:

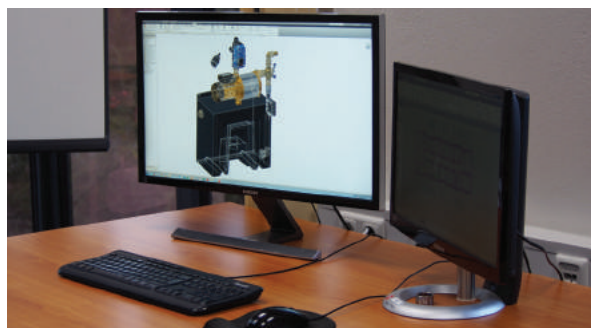
- for the production, we use as much recycled plastics (polyethylene) as possible
- moreover, a new material we use ecological polyethylene without the addition of plasticizers and other pollutants
- our machines work according to the latest standards and they are very energy efficient
- process residues of plastics are reprocessed in the production process (ground) and used again
- we use the heat generated in the production to heat the floor in our halls
- our process water is obtained from rainwater
- our toilets are flushed with greywater or recycled rainwater

GreenLife - Your specialist in processing of plastics, currently uses three different production technologies. Depending on the product requirements and the amount of produced parts, we use the following techniques:

- rotary sintering
- extrusion blow
- injection moulding



GreenLife - we continuously developed our skills, production and consultancy in the field of innovative and high-quality water management systems - we work in the following areas:



- product development,
- engineering / construction
- design and project supervision

RAINWATER HARVESTING

ECOLOGICALLY AND SUSTAINABLE

Selection of the tank capacity

It is very important that the ordered equipment exactly suit your needs and capabilities. Generally you should collect as much rainwater as possible. Surplus of water, not used in the household and for watering the garden, may be stored or drained to the ground, depending on conditions and in this way save money on fees for covered (e.g. concreted) surfaces, which is charged increasing number of municipalities. Also in this area you will find a suitable device offered by GreenLife.

For the first rough calculations, you may use the following formula: at least 1500 litres of tank capacity is required annually per person. For 1.000 l of tank capacity, a roofed surface is required with area of 15 m².

Application

Tank size suitable for a given purposes are presented in the following table:

Applications



Irrigation



Flushing toilets



Washing



Load capacity



They are resistant to loads exerted by walking people



and moving vehicles



Other



Grey water (source)

Systems for domestic water supply and garden irrigation

Persons	Roofed surface area in m ²	Toilet	Washing machine	Garden m ²	Tank capacity* litres
1-2	50	yes	yes	50	3.300
2-3	80	yes	yes	100	4.700
3-4	100	yes	yes	200	6.500
4-6	120	yes	yes	400	9.400
6-8	> 160	yes	yes	800	13.000

When using the rainwater with drinking water quality for all home applications: additional 100% of the tank.

Equipment for garden irrigation

Roof-covered area m ²	Size of the garden in m ²				Tank capacity in litres*
	100	100-300	300-500	> 500	
40	X				1.000
60	X	X			2.200
80		X			3.300
100		X	X		4.700
120			X		6.500
160			X	X	9.400
> 160				X	13.000

* presented tank capacities are usable capacities, a small amount of water always remains at the bottom of the tank, due to technical requirements

RAINWATER HARVESTING

ECOLOGICALLY AND SUSTAINABLE

Expert tips!

- Before starting works, read the installation and operating instructions! Failure to follow them may void the guarantee!
- Protect water supply line leading from the tank to the house against freezing (at least 80 cm under the ground).
- Arrange water supply line (KG pipe DN 100) from the tank to the house continuously rising (1% slope). Install only bends/elbows with angles lower than 45°.
- Seal wall passages for feeding lines entering the house using grommet plus.
- Cross section of rainwater pipes can not be reduced by filtering elements upstream/downstream the tank.
- Each water inflow into the tank must be stabilised. Only in this way you can prevent the lifting of sediment from the bottom of the tank.
- An overflow installed in the tank must have a skimmer effect (suction) in form of a siphon. It serves as a trap, blocking odours and collecting floating surface impurities.
- Suction hose must be always installed as floating. Submersible pressure pumps are mounted as suspended or as a suction floating structure or with a suction to prevent sucking the sediment from the bottom.

Expert tips!

- Supply of tap water may be carried out by the power module, but in any case by "Free Outflow". It must be installed above the backflow level, which as a rule, is the curb level of the nearest street.
- For rainwater use plastic pipes, as compared with other materials they provide long-term reliability and the best quality of water.
- Water filters at home have a negative impact on the quality of rainwater due to the formation of bacteria. Their use is discouraged. Good equipment filter rainwater before the tank or in the tank.
- Adjusting the pump pressure should be provided by automatic devices. We discourage using membrane buffer tanks (risk of propagation of bacteria and high maintenance costs).
- All pipelines and intake points should be marked with inscriptions "RAINWATER" or "WATER UNFIT FOR DRINKING". (DIN 1988, 1989)
- Lateral connections between pipes with tap water and rainwater are prohibited.
- Draining water into the ground is always made at user's own risk. Do not rely on unchecked information and permissions, please perform the drainage test.
- Competent advice obtained before starting works saves a lot of time, money and nerves.

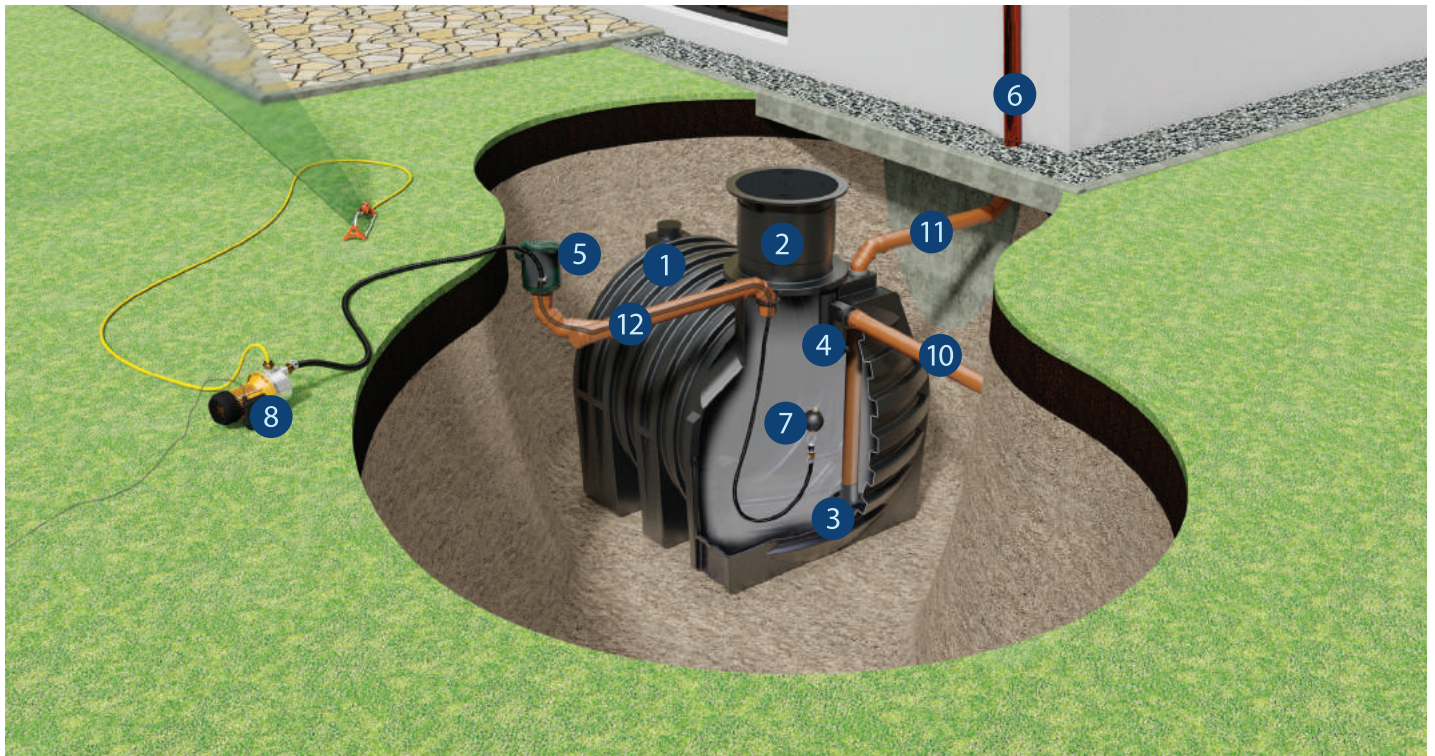
SYSTEMS FOR GARDEN IRRIGATION „BASIC“

Complete systems "basic"

The "basic" garden system for garden irrigation is uncomplicated option and allows further upgrades/extensions. Rainwater is filtered through the roof gutter grill and stored in a tank made of high-quality plastic with calmed inlet. The calmed inlet and overflow siphon with skimmer effect combined with a filter at the roof gutter provide good quality water for years and are very easy in maintenance. The underground tank has a buried pipe KG (DN100) where a suction hose is installed with a floating suction filter - it is connected to the water connection box (installed in the ground in the right place) - the hose is connected to the pump with special hose connections. In winter, to ensure frost protection, the pump must be dried and placed in a place not exposed to frost.



	Tank capacity	Item No.
■	1.000 l	G0002180
■	2.200 l	G0002181
■	3.300 l	G0002182
■	4.700 l	G0002183
■	6.500 l	G0002184
■	*9.400 l	G0002185
■	**13.000 l	G0002186



* consists of 2 x GET 4.7 including a sliding dome with a plastic securing cover, 1 overflow siphon, 3 connections DN 100 and bottom connections (2 x double rubber seal DN 100)

** consists of 2 x GET 6.5 including a sliding dome with a plastic securing cover, 1 overflow siphon, 3 connections DN 100 and bottom connections (2 x double rubber seal DN 100)

SYSTEMS FOR GARDEN IRRIGATION „BASIC“

Scope of delivery for "Basic" set:

- 1 tank made of high-quality polyethylene, seamless, produced as a one-piece device, with
 - 2 telescopic dome¹ and a safety cover made of plastic
 - 3 calmed inlet, installed
 - 4 overflow siphon with protection against animals, installed
 - 5 water connection box and connections
 - 6 gutter grilles with a filtering function 20 m
 - 7 floating suction filter with a back-flow preventer and suction hose of 10 m
 - 8 self-priming pump with a hose connection
- labelling materials

Auxiliary legend²:

- 10 discharge to rainwater channel or draining water to the ground
- 11 rainwater inlet
- 12 ground sewage pipe as a protective pipe for cables and suction pipe or pressure pipe

Recommended accessories²:

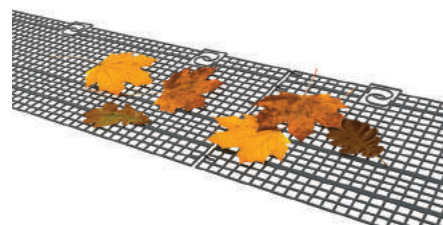
- filling level indicator, page 48
- mains water back-up, page 49
- seal through the wall for underground pipes DN 100 (as connection into the house), page 51



Seal through the wall for pipes and electrical cables



Filling level indicator



Gutter grill



Mains water back-up

¹ not suitable for underground tanks of 1000 litres and underground shafts, ² not included in the delivery
Hot-line for customers with technical questions concerning rainwater: +49 (0) 385 7733775 (fees as for German fixed network)

SYSTEMS FOR GARDEN IRRIGATION „QUICK“

The "quick" garden system for garden irrigation is very easy to use. Rainwater is filtered through the roof gutter grills and entered into a tank made of high-quality plastic with inflow stabiliser. Overflow siphon ensures catching of the particles floating on the water surface when the tank is overflowing.

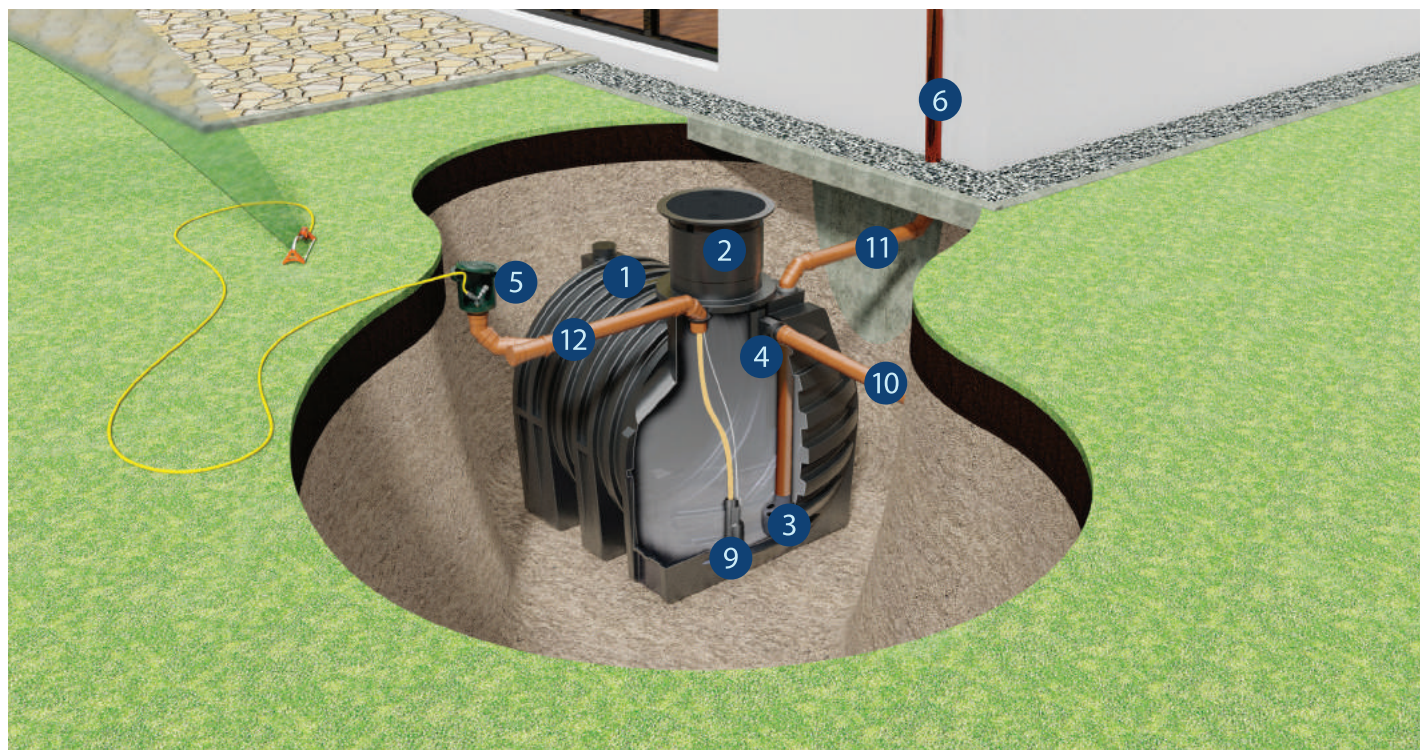
This system provides good quality water for years and is very easy to maintain. The underground tank has also a buried pipe KG (DN100) supplied by a clarified water pressure pump, which is led to the water connection box (installed in the ground in the right place) and connected to it.

The clarified water pressure pump X1000, with a built-in automatic switching device, pumps water automatically when the valve in the water connection box is opened, and it stops when the valve is closed.

In case of a freezing risk, please disconnect the power supply and open the water valve in the water connection box.

Complete systems "quick"

	Tank capacity	Item No.
■	1.000 l	G0002173
■	2.200 l	G0002174
■	3.300 l	G0002175
■	4.700 l	G0002176
■	6.500 l	G0002177
■	*9.400 l	G0002178
■	**13.000 l	G0002179



* consists of 2 x GET 4.7 including a sliding dome with a plastic securing cover, 1 overflow siphon, 3 connections DN 100 and bottom connections (2 x double rubber seal DN 100)
 * consists of 2 x GET 6.5 including a sliding dome with a plastic securing cover, 1 overflow siphon, 3 connections DN 100 and bottom connections (2 x double rubber seal DN 100)

SYSTEMS FOR GARDEN IRRIGATION „QUICK“

Scope of delivery for "Quick" set:

- 1 tank made of high-quality polyethylene, seamless, produced as a one-piece device, with
- 2 telescopic dome¹ and a safety cover made of plastic
- 3 calmed inlet, installed
- 4 overflow siphon with protection against animals, installed
- 5 water connection box and connections
- 6 20 m of gutter grill with filtering function
- 9 clarified water pressure pump X1000 with suction filters and back-flow preventer, flow control, protection against dry-running and 10 m of pressure hose.

Auxiliary legend²:

- 10 discharge to rainwater channel or draining water to the ground
- 11 rainwater inlet
- 12 ground sewage pipe as a protective pipe for cables and suction pipe or pressure pipe

Recommended accessories²:

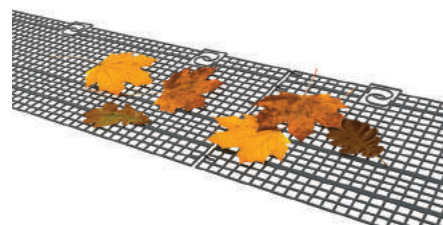
- filling level indicator, page 48
- mains water back-up, page 49
- seal through the wall for underground pipes DN 100 (as connection into the house), page 51



Seal through the wall for pipes and electrical cables



Filling level indicator



Gutter grill



Mains water back-up

¹ not suitable for underground tanks of 1000 litres and underground shafts, ² not included in the delivery
Hot-line for customers with technical questions concerning rainwater: +49 (0) 385 7733775 (fees as for German fixed network)

SYSTEMS FOR GARDEN IRRIGATION "FIX" WITH A FLAT TANK

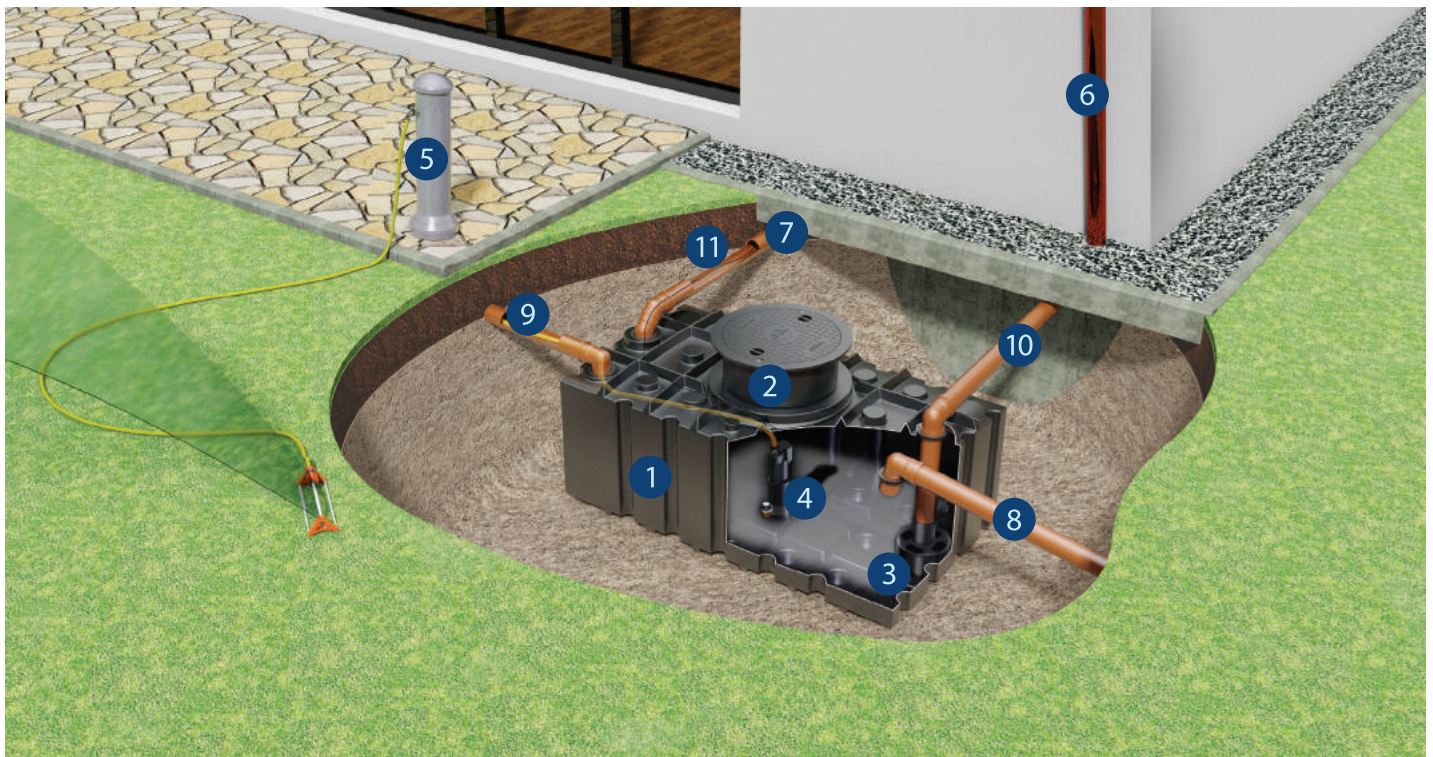
Complete systems "fix"

The "fix" garden system with a flat tank for garden irrigation is a well-developed and comfortable option. Installation is relatively simple compared to the "traditional" tanks for rainwater. Carefully selected components ensure long-term performance.

The clarified water pressure pump X1000, with a built-in automatic switching device, pumps water automatically when the valve is opened and it stops when the valve is closed.

In case of a freezing risk, please disconnect the power supply and open the water valve of the garden distributor.

	Tank capacity	Item No.
■	2.000 l	G0002650
■	4.200 l	G0002956



SYSTEMS FOR GARDEN IRRIGATION "FIX" WITH A FLAT TANK

Scope of delivery for "Fix" set:

- 1 Tank made of high-quality polyethylene, seamless, produced as a one-piece device, with
- 2 sliding dome with a safety cover made of plastic
- 3 calmed inlet, installed
- 4 clarified water pressure pump X1000 with integrated automatic switch (ON/OFF), protection against dry-running and a suction filter made of stainless steel
- 5 garden column with a water tap (chrom-plated)
- 6 gutter grill, approx. 20 m (34 pieces)
 - labelling materials
 - 5 m pressure hose

Auxiliary legend¹:

- 8 discharge to rainwater channel or draining water to the ground
- 9 ground pipe (KG) as a shield for the pressure pipe
- 10 rainwater inlet
- 11 electrical connection of the pump

Recommended accessories¹:

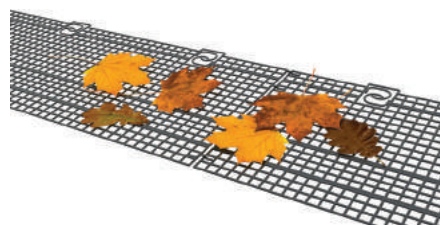
- filling level indicator, page 48
- 6 grill for the roof gutter, page 52
- 7 seal through the wall, page 51
- overflow siphon, page 50
- mains water back-up, page 49



Seal through the wall for pipes and electrical cables



Filling level indicator



Gutter grill



Mains water back-up

COMPLETE SYSTEMS FOR HOUSE & GARDEN "GRM 2.0"

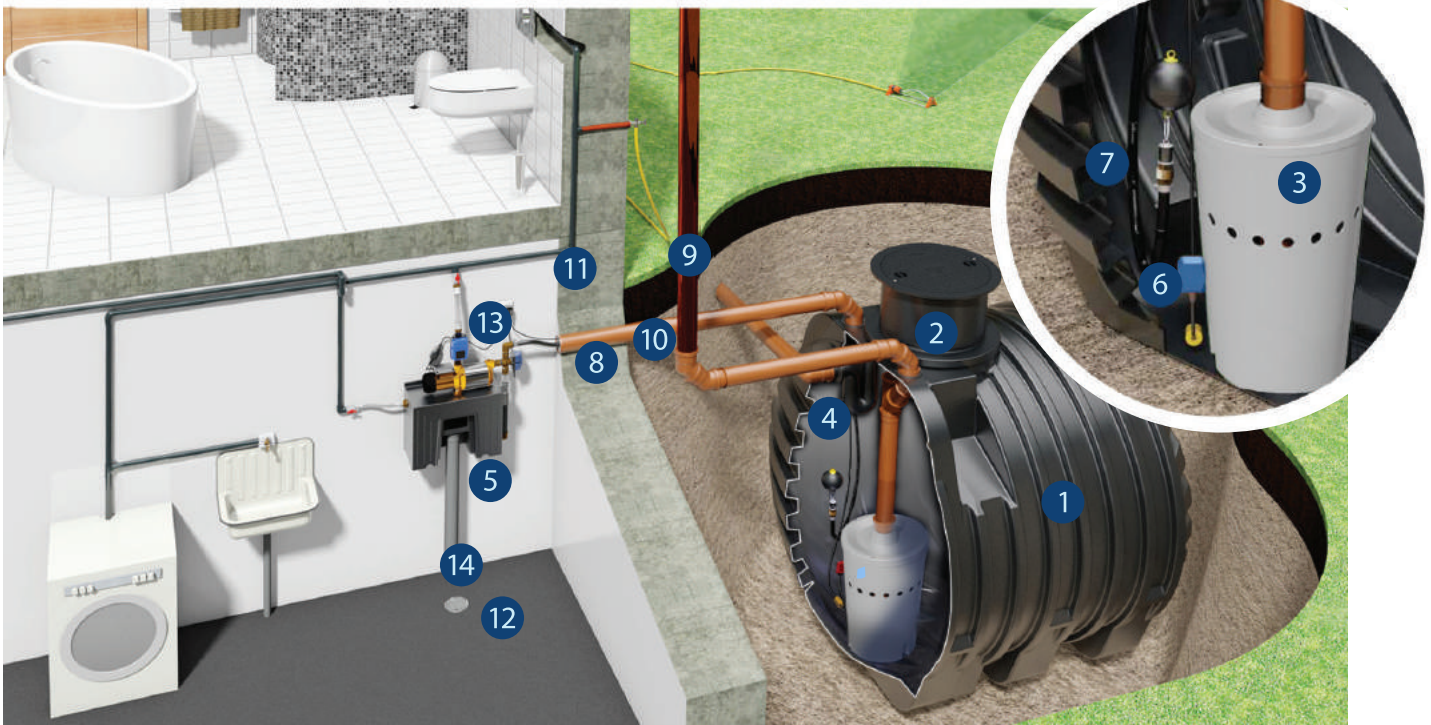
Complete systems "GRM 2.0"

GreenLife "System GRM 2.0" GreenLife for supplying water to the house and garden is based on the proven modular technology. When a consumer is opened in the network of rainwater pipes, then GRM 2.0 automatically provides the consumer(s) with sufficient amount of water.

If, after a longer drought, the tank has rainwater inside, the solenoid valve controlled by a float switch will provide water supply to the pump from the tap water network, depending on the demands.

When the tank is filled again, the solenoid valve is turned into rainwater. The switching may be also made manually.

Tank capacity	Item No.
2.200 l	G0003478
3.300 l	G0003479
4.700 l	G0003480
6.500 l	G0003481
*9.400 l	G0003484
**13.000 l	G0003485



* consists of 2 x GET 4.7 including a sliding dome with a plastic securing cover, 1 Biovitor, 1 overflow siphon, 3 connections DN 100 and bottom connections (2 x double rubber seal DN 100)
 ** consists of 2 x GET 6.5 including a sliding dome with a plastic securing cover, 1 Biovitor, 1 overflow siphon, 3 connections DN 100 and bottom connections (2 x double rubber seal DN 100)

COMPLETE SYSTEMS FOR HOUSE & GARDEN "GRM 2.0"

Scope of delivery:

- 1 Tank made of high-quality polyethylene, seamless, produced as a one-piece device, with
 - 2 telescopic dome¹ and a safety cover made of plastic
 - 3 Biovitor
 - 4 overflow siphon including a protection against small animals
 - 5 GreenLife GRM 2.0 module including protection against stagnation, a multi-stage self-priming centrifugal pump, flow controller, protection against dry running and disconnection switch depending on the volume, fixture for wall mounting, electronic control element and a motorised zone valve
 - 6 floating switch (ON/OFF), 20 m connection cable and adjustable calibration weight, emergency overflow DN 70, supporting bracket and the cover, vibration damper, tank for tap water and proportionally controlled valve for tap water supply
 - 7 10 m suction hose with floating suction filter and return lock
- labelling materials



Seal through the wall for pipes and electrical cables



Filling level indicator

Auxiliary legend²:

- 9 Rainwater inlet
- 10 Household connection pipe
- 11 Rainwater pressure pipe
- 12 Floor drain
- 13 Power outlet for wet rooms
- 14 Pipe HT DN 70 for emergency overflow

Recommended accessories²:

- 8 seal through the wall, page 51
- filling level indicator, page 48

Dimensions in mm,

¹ not for underground tanks of 100 litres GET 1.0 and underground shafts,

² not included in the delivery:

Hot-line for customers with technical questions concerning rainwater

: +49 (0) 385 7733775 (fees as for German fixed network)

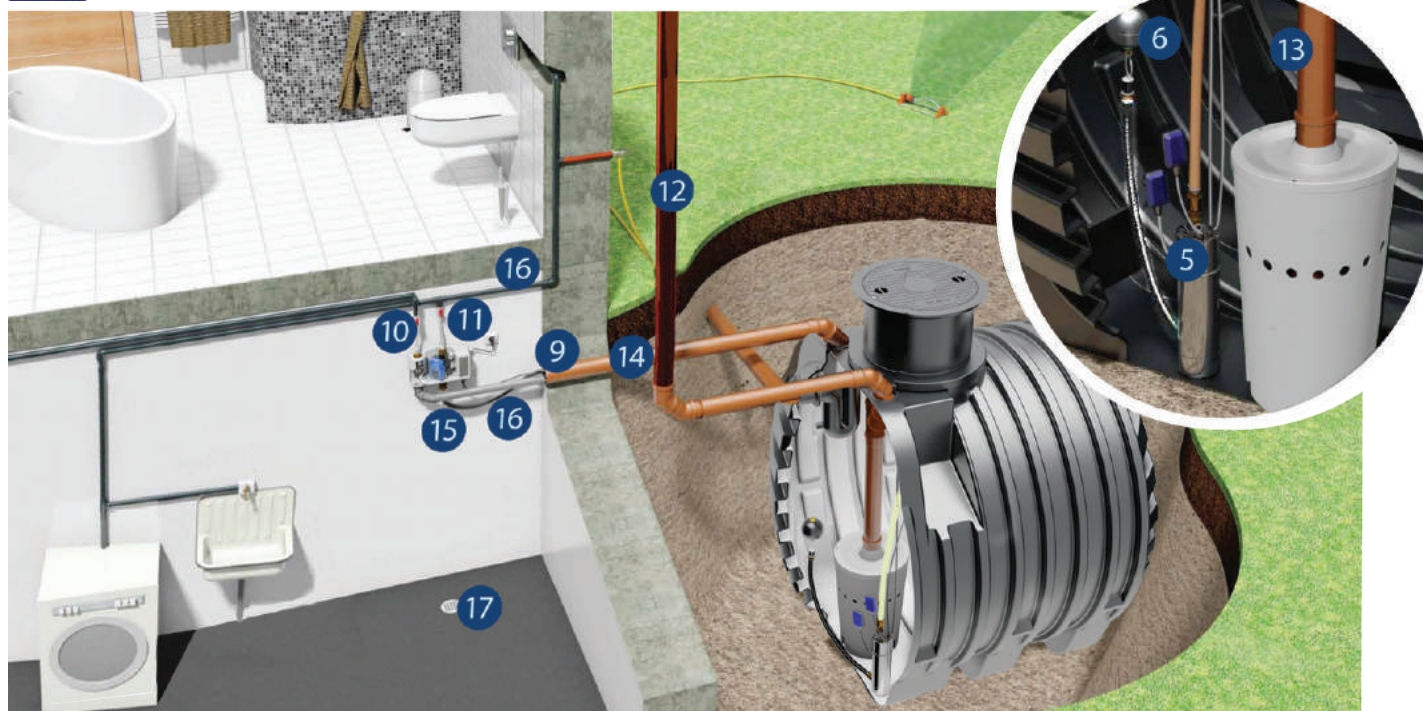
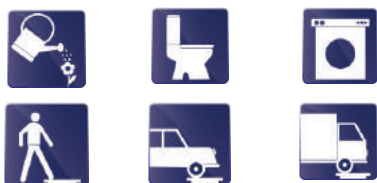
COMPLETE SYSTEMS FOR HOUSE & GARDEN "U 1.1"

Complete systems "U 1.1"

GreenLife System U 1.1" operates basing on the clarified water pressure pump with a floating suction, i.e. water is taken drawn from location where it is the cleanest - just below the surface. Advantage: The sound of working pump does not disturb peace at home.

In case of opening a consumer in the rainwater network, the automatic device switches the pump on and in the reverse situation switches it off. If necessary the floating switch automatically turns on the solenoid valve for tap water supply, when there is no rainwater in the tank, and ensures that the tank always has a sufficient amount of water.

Tank capacity	Item No.
2.200 l	G0001883
3.300 l	G0001884
4.700 l	G0001885
6.500 l	G0001886
*9.400 l	G0001887
**13.000 l	G0002140



* consists of 2 x GET 4.7 including a sliding dome with a plastic cover, 1 Biovitor, 1 overflow siphon, 3 connections DN 100 and bottom connections (2 x double rubber seal DN 100)

** consists of 2 x GET 6.5 including a sliding dome with a plastic cover, 1 Biovitor, 1 overflow siphon, 3 connections DN 100 and bottom connections (2 x double rubber seal DN 100)

COMPLETE SYSTEMS FOR HOUSE & GARDEN"U 1.1"

Scope of delivery:

- 1 Tank made of high-quality polyethylene, designed for high-level safety, seamless, produced as a one-piece device, with
 - 2 telescopic dome¹ and a safety cover made of plastic
 - 3 Biovitor
 - 4 overflow siphon and protection against small animals
 - 5 purified water discharge pump GUP 46 with
 - 6 floating suction filter with a return lock
 - 7 automatic manager of rainwater U 1.1 for wall mounting, tap water supply, flow controller, pressure gauge and protection against dry running
 - 8 the floating switch for tap water supply, 20 m connection cable, adjustable calibration weight and an adapter
- labelling materials

Auxiliary legend²:

- 13 Rainwater inlet
- 14 Household connection pipe
- 15 HT pipe for supplying tap water
- 16 Rainwater pressure pipe
- 17 Floor drain

Recommended accessories²:

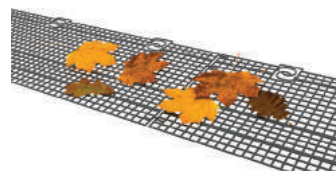
- 9 seal through the wall, page 51
 - 10 | 11 Connection set for GRM with armoured hose and ball shut-off valve, page 52
 - 12 Roof gutter grill as protection against leaves, page 52
- filling level indicator, page 48



Seal through the wall for pipes and electrical cables



Filling level indicator



Gutter grill



Connection set for GRM with armoured hose

¹ not for underground tanks of 100 litres GET 1.0 and underground shafts,

² not included in the delivery

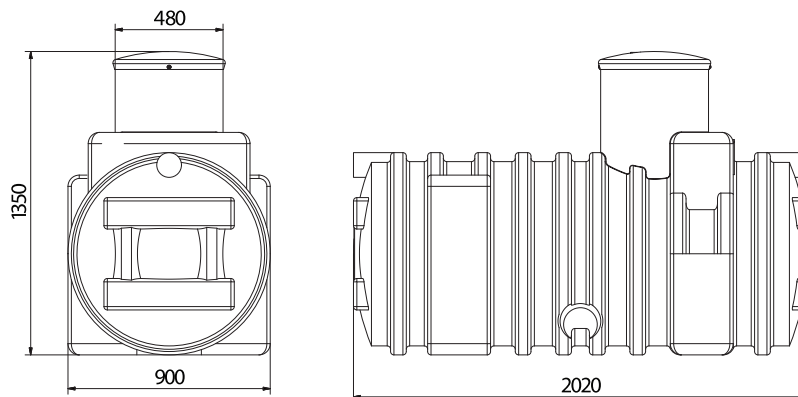
Hot-line for customers with technical questions concerning rainwater: +49 (0) 385 7733775 (fees as for German fixed network)

UNDERGROUND TANKS

FOR RAINWATER AND FOR STORAGE OF DOMESTIC WASTE WATER



UNDERGROUND TANK - 1000 LITRES GET 1.0 / WEIGHT: 50 KG



Dimensions of the pit (approx. in m): length: 2.62 / width 1,50 / depth:** 1.50

Underground tank GET 1.0 "SYSTEM" with
a cover and 3 connections DN 100

■ Item No. G0002133

Underground tank GET 1.0 "SYSTEM" with
a cover, 3 connections DN 100, icalmed inlet and siphon

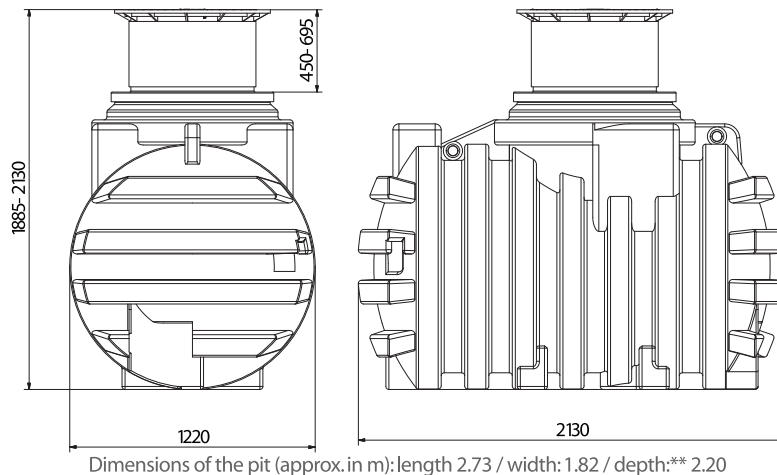
■ Item No. G0002134

UNDERGROUND TANKS

FOR RAINWATER AND FOR STORAGE OF DOMESTIC WASTE WATER



UNDERGROUND TANK - 2200 LITRES, GET 2.2 / WEIGHT: 110 KG



includes a telescopic dome with a cover and 3 connections DN 100

includes a telescopic dome with a cover and 3 connections DN 100,
a calmed inlet, overflow siphon, protection against animals

includes a telescopic dome with a cover and 3 connections DN 100,
Biovitor, overflow siphon, protection against animals

■ Item No. G0002127

■ Item No. G0002132

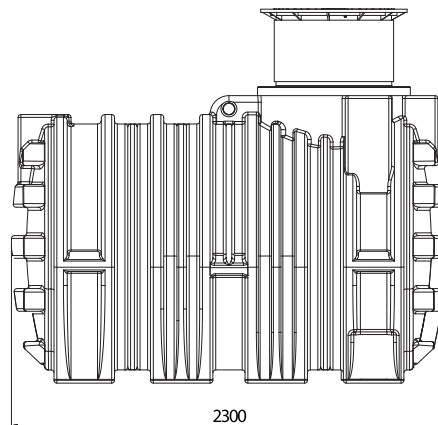
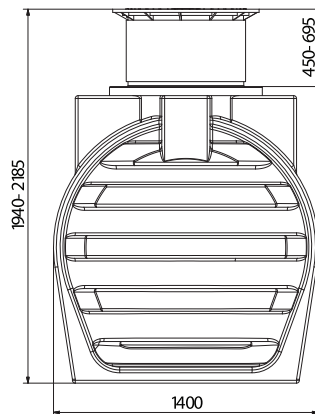
■ Item No. G0002128

UNDERGROUND TANKS

FOR RAINWATER AND FOR STORAGE OF DOMESTIC WASTE WATER



UNDERGROUND TANK - 3300 LITRES GET 3.3 / WEIGHT: 50 KG



Dimensions of the pit (approx. in m): length: 2.90 / width: 2.00 / depth:** 2.09

includes a telescopic dome with a cover and 3 connections DN 100

includes a telescopic dome with a cover and 3 connections DN 100,
a calmed inlet overflow siphon, protection against animals

includes a telescopic dome with a cover and 3 connections DN 100,
Biovitor, overflow siphon, protection against animals

- Item No. G0000272
- Item No. G0000271
- Item No. G0002129

UNDERGROUND TANKS

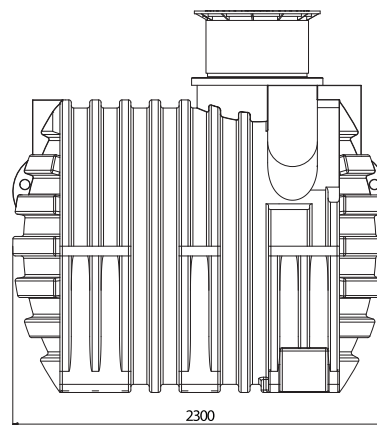
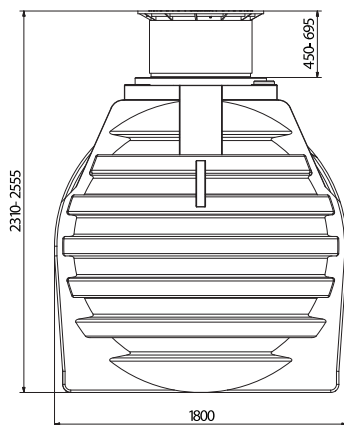
FOR RAINWATER AND FOR STORAGE OF DOMESTIC WASTE WATER



KG pipe shall be provided by the customer!

**UNDERGROUND TANK - 4700L
GET 4.7 / WEIGHT: 190 KG**

**UNDERGROUND TANK - 9400L
GET 4.7-2 / WEIGHT: 380 KG**



Dimensions of the pit (approx. in m): length: 2.90 / width: 2.60 / depth:** 2.46

	Tank capacity	Number of tanks	Telescopic dome with a plastic cover	Biovitor	Calmed inlet	Overflow siphon and protection against animals	Connections DN 100	Bottom connections	Item No.
■	4.700 l	GET 4.7	1	-	-	-	3	-	G0000283
■	4.700 l	GET 4.7	1	-	1	1	3	-	G0000282
■	4.700 l	GET 4.7	1	1	-	1	3	-	G0002130
■	9.400 l	GET 4.7-2	2	-	-	-	6	2	G0002146
■	9.400 l	GET 4.7-2	2	-	1	1	6	2	G0002148
■	9.400 l	GET 4.7-2	2	1	-	1	6	2	G0002144

Dimensions in mm * for transport when empty, ** with 15 cm sand bed and with sliding dome retracted.

UNDERGROUND TANKS

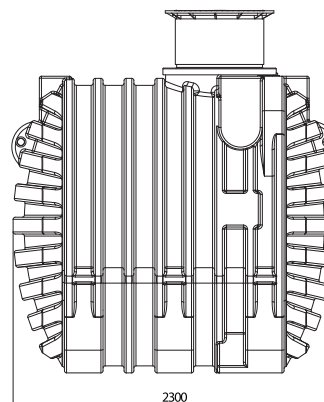
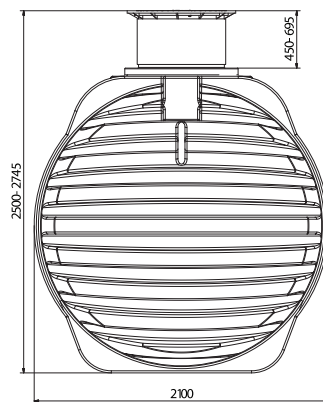
FOR RAINWATER AND FOR STORAGE OF DOMESTIC WASTE WATER



KG pipe shall be provided by the customer!

**UNDERGROUND TANK 6500L
GET 6.5 / WEIGHT: 260 KG**

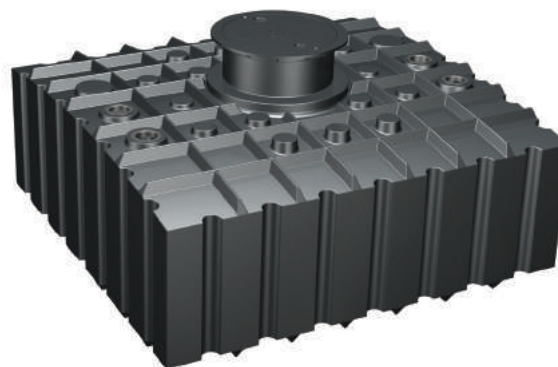
**UNDERGROUND TANK 13,000L
GET 6.5-2 / WEIGHT: 520 KG**



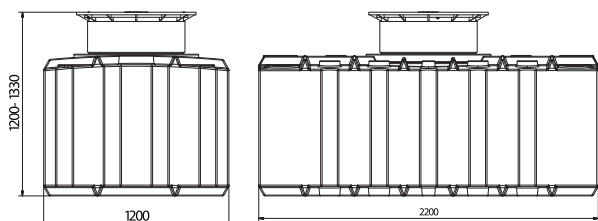
Dimensions of the trench (approx. in m): length: 2.90 / width: 2.70 / depth:** 2.65

	Tank capacity	Number of tanks	Telescopic dome with a plastic cover	Biovitor	Calmed inlet	Overflow siphon and protection against animals	Connections DN 100	Bottom connections	Item No.
■	6.500l	GET 6.5	1	-	-	-	3	-	G0000291
■	6.500l	GET 6.5	1	-	1	1	3	-	G0000290
■	6.500l	GET 6.5	1	1	-	1	3	-	G0002131
■	13.000l	GET 6.5-2	2	-	-	-	6	2	G0002147
■	13.000l	GET 6.5-2	2	-	1	1	6	2	G0002149
■	13.000l	GET 6.5-2	2	1	-	1	6	2	G0002145

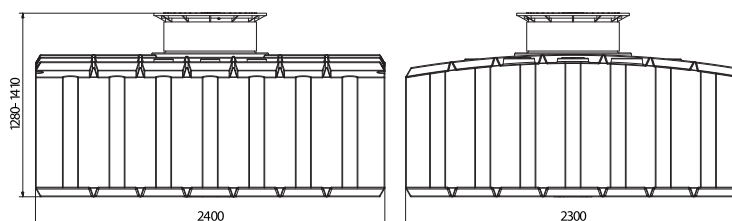
FLAT TANKS



FLAT TANK 2000 LITRES



FLAT TANK 4200 LITRES



- Connections are located at the top, to ensure using the entire capacity of the tank
- including the sliding dome and safety cover made of plastic resistant to loads exerted by walking people - permissible load: up to 200 kg
- 4 connections (inlet, overflow, empty pipe e.g. for cables, direct connection for water connection box or a garden column)

- manhole 600 mm according to DIN
- simple design
- small installation depth
- small amount of excavated soil
- small construction pit

	Capacity	Underground tank	Weight	Scope of the delivery	Item No.
■	2.000 l	GFT 2.0	90 kg	including a sliding dome with a cover, 4 connections DN 100	G0002358
■	2.000 l	GFT 2.0	100 kg	including a sliding dome with a cover, 4 connections DN 100, calmed inlet	G0002359
■	4.200 l	GFT 4.2	180 kg	including a sliding dome with a cover, 4 connections DN 100	G0002881
■	4.200 l	GFT 4.2	190 kg	including a sliding dome with a cover, 4 connections DN 100, calmed inlet	G0002882

GREENLIFE UNDERGROUND TANKS

SYSTEM INSTALLATION MANUAL

Note! Before the installation, read it carefully and thoroughly!
Installation should be carried out by a specialist company!

During earthworks observe all safety provisions (BGV C22, DIN 4124). Do not plan to place the tank in a lowered terrain. When the tank is placed on flooded areas or at risk of water accumulation, in areas with a high groundwater levels and with cohesive soil impermeable to water, ensure at least 1.1 times protection against uplift and deformation of empty containers. Use a drainage line with sufficient size, which ends in a vertical shaft into which the submersible pump is entered for pumping out the excess of water. Inspect pump regularly and ensure its proper functioning!

When the underground tank is installed in a sloping terrain, be careful and construct a retaining wall to protect the tank against excessive lateral soil pressure. Surrounding of the tank shall be permeable. The tank should be located close to the connections, the distance from the building should be equal at least to the diameter of the tank (Fig. 1).

Dimensions of the tank + 30 cm at each direction should provide the dimensions of the bottom surface of the trench (Fig. 2). The maximum thickness of the ground layer on the tank: 1.10 m. The slope should be performed according to DIN 4124. Depth of the trench should results from the tank height + 15 cm of sand bed, without stones, flat and manually compacted (Fig. 3). Underground tank must be placed inside the trench (Fig. 4) and levelled on the sand bed using a spirit level. After arranging the pipe of the house connection, rainwater inflow and the overflow, use the spirit level again to perform re-levelling (Fig. 5).

Then fill the tank with water that has to reach the level of 30 cm from the tank bottom. Then, fill the trench up to the tank water level with 4/16 gravel having round grain and compact it manually (Fig. 6). Be careful when using the filling material - it should penetrate under the tank and tightly fill all the empty spaces. Repeat the same procedure - add approx. 30 cm of water, fill the trench up to the water level with round gravel 4/16 gravel and compact it manually - repeat this procedure until the tank is completely covered. You must ensure that the tank is evenly covered by filling material from all sides. Then the trench filled up. For this purpose use you can use the soil previously excavated from the trench (no rocks in the vicinity of the tank walls). The compaction process must be carried out manually! The surface of the filled trench should be formed in a manner preventing water accumulation on its surface, which may infiltrate this location. Connections are ready to be connected with buried pipes KG DN 100. Connection of the tanks to increase the capacity is carried by the mounting surfaces at the bottom of the tank, using special GreenLife seals and KG pipe which enters into the tank at for least 20 cm.

Remember: to ensure that the tank withstands the load of car moving over it, please use our structures with a sliding dome combined with safety sliding cover made of plastic designed for loads of moving cars (max. load 600 kg per wheel, TÜV).

GREENLIFE UNDERGROUND TANKS

SYSTEM INSTALLATION MANUAL

Determining location.
Location near the house connections.

To ensure the possibility of trucks moving over the tank, additional actions are required. For this purpose please contact our sales representative. Failure to observe the installation instructions will void any guarantee claims! During tank inspection, a second person is required for safety reasons! After each opening, the cover must be tightened with screws to secure access of children.

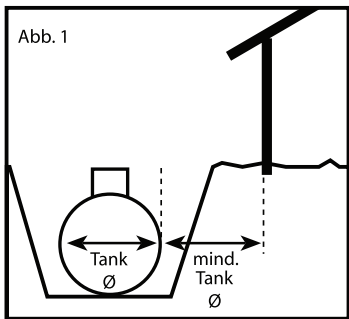


Abb. 1
Mark the trench area and secure it against access of unauthorized persons.

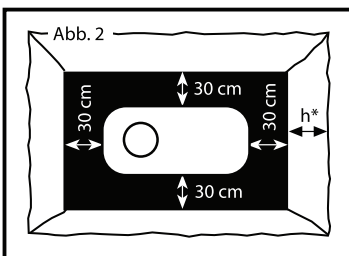
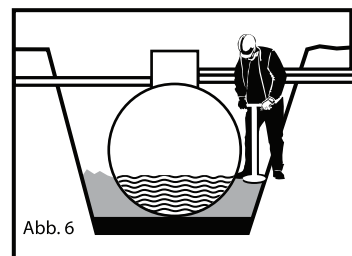
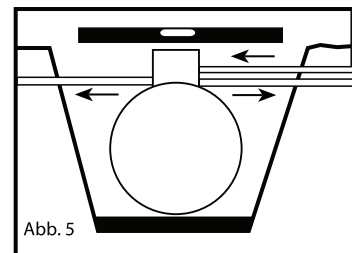
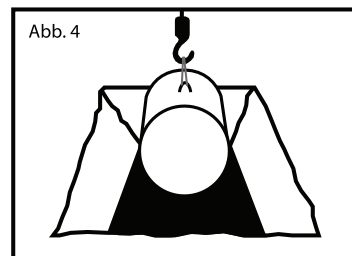
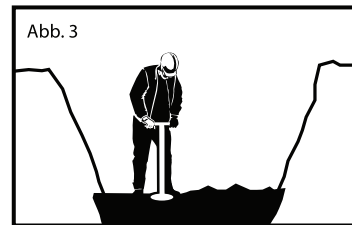
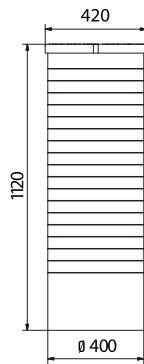


Abb. 2
When a dome extension and/or sliding dome is used, change the depth of the trench respectively.
*Tank height + sand bed 15 cm



UNDERGROUND TANKS

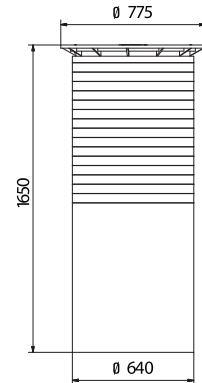
SHAFTS FOR CONTROL, LIFTING, PERCOLATION AND DISTRIBUTION



UNDERGROUND SHAFT GES 0.14 140 LITRES

with stable cover, cut to size,
weight: 13 kg

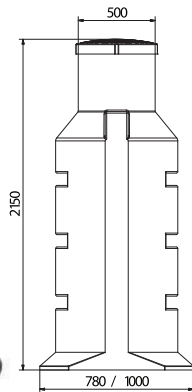
Item No. G0000985



UNDERGROUND SHAFT GES 0.5 500 LITRES

weight: 30 kg

Item No. G0001439

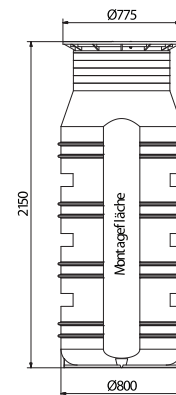


UNDERGROUND SHAFT GES 0.9 900 LITRES

with a cover
weight: 50 kg

Item No. G0000310

Dimensions of the pit (approx.in m): \varnothing :1.40 / depth:** 2.30.
The shaft may be cut by approx.350 mm



UNDERGROUND SHAFT GES 0.95 950 LITRES

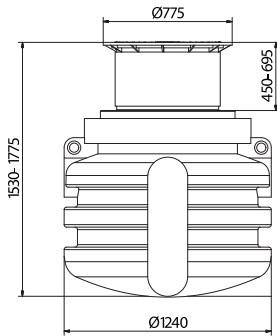
plastic cover resistant to loads exerted
by walking people - up to 200 kg weight: 55 kg

Item No. G0001592

Dimensions of the pit (approx.in m): \varnothing :1.40 / depth:** 2.30
The shaft may be cut by approx.350

UNDERGROUND TANKS

SHAFTS FOR CONTROL, LIFTING, PERCOLATION AND DISTRIBUTION

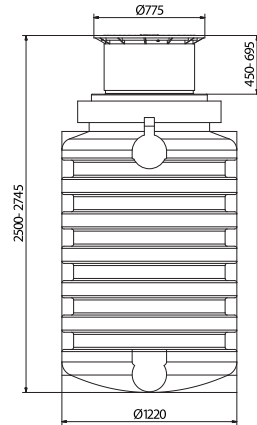


UNDERGROUND SHAFT GES 1.1, 1000 LITRES

with a telescopic dome
weight: 65 kg

Item No. G0002210

Dimensions of the pit (approx. in m): Ø: 1.84 / Depth: ** 1.68



UNDERGROUND SHAFT GES 2.2 2000 LITRES

with a telescopic dome
weight: 120 kg

Item No. G0002209

Dimensions of the pit (approx. in m): Ø: 1.85 / Depth: ** 2.65



DOMES EXTENSION

DN 600
enhancement (net): 300 mm

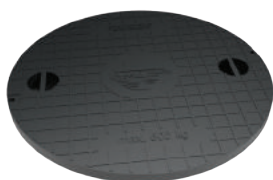
Item No. G0001720



PLASTIC COVER -RESISTANT TO LOADS EXERTED BY WALKING PEOPLE

load-bearing capacity up to 200 kg

Item No. G0003806



PLASTIC COVER -RESISTANT TO LOADS EXERTED BY WALKING PEOPLE AND BY MOVING CARS

up to 600 kg wheel load

Item No. G0001240



THE COVER IS RESISTANT TO LOADS EXERTED BY MOVING TRUCKS

consists of a shaft element
and dome extension

Item No. G0003335

The cover and frame shall be provided by the customer!

GVT VOLUME TANKS



GVT volume tanks made of high-quality polyethylene with one telescopic dome, for the storage of rainwater, waste water and fire-fighting water. Optional accessories for telescopic domes for optimum draining. Patented stable design from GreenLife

Tank	Tank capacity	Length in mm	Diameter in mm	Height in mm	Weight in kg	Item No.
■ GVT 11.7	11.700	3.500	2.200	2.650-2.895	550	G0003017
■ GVT 20.5	20.500	6.000	2.200	2.650-2.895	830	G0003018
■ GVT 29.4	29.400	8.500	2.200	2.650-2.895	1.110	G0003019
■ GVT 38.2	38.200	11.000	2.200	2.650-2.895	1.390	G0003020
■ GVT 47.0	47.000	13.500	2.200	2.650-2.895	1.670	G0003021

GVT VOLUME TANKS



Tank	Tank capacity	Length in mm	Diameter in mm	Height in mm	Weight in kg	Item No.
GVT 55.8	55.800	16.000	2.200	2.650-2.895	1.950	G0003669
GVT 64.6	64.600	18.500	2.200	2.650-2.895	2.230	G0003670
GVT 73.4	73.400	21.000	2.200	2.650-2.895	2.510	G0003671
GVT 82.2	82.200	23.500	2.200	2.650-2.895	2.790	G0003672
GVT 91.0	91.000	26.000	2.200	2.650-2.895	3.070	G0003673
GVT 99.8	99.800	28.500	2.200	2.650-2.895	3.350	G0003674



DOMES EXTENSION

DN 600
enhancement (net): 300 mm

Item No. G0001720



SLIDING DOME WITH ADAPTER

Cover (made of plastic, resistant to loads exerted by walking people)

Item No. G0003636



COVER, RESISTANT TO LOADS EXERTED BY MOVING CAR

Safety cover, made of plastic, with massive ribs, which withstands the load of car moving over it (load of 600 kg per wheel).

Item No. G0001240



THE SET, WHICH RESIST THE LOADS EXERTED BY MOVING TRUCK

consists of: shaft element and dome extension

Item No. G0003335

Cover and frame have to be organized on site!

ESPECIALLY FOR GROUNDWATER, STRATA WATER AND WATER-BEARING SOIL



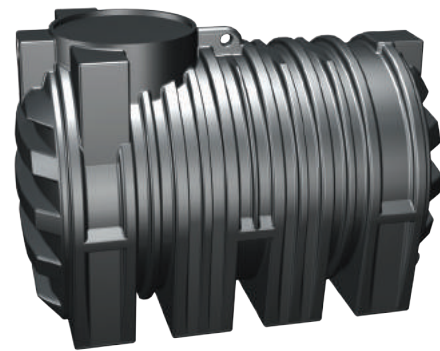
UNDERGROUND TANK - SUITABLE FOR GROUNDWATER, GET 3.2 "SYSTEM"

telescopic dome and 3 connections

Item No. G0002169

telescopic dome, calmed inlet, overflow siphon and protection against animals

Item No. G0002170



UNDERGROUND TANK - SUITABLE FOR GROUNDWATER, GET 3.2 "SYSTEM"

to extend capacity without telescopic dome

2 connections do for bottom connections, aeration and venting

Item No. G0002172

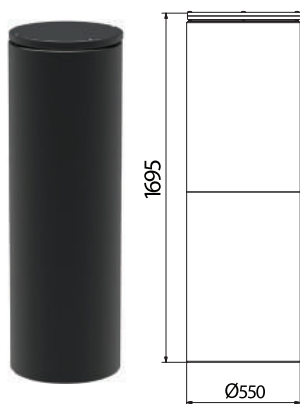
telescopic dome, calmed inlet, overflow siphon and protection against animals

Item No. G0002171



BASEMENT TANKS GKT

FOR RAINWATER AND POTABLE WATER



BASEMENT TANK GKT 0.35

with a cover (screwed)

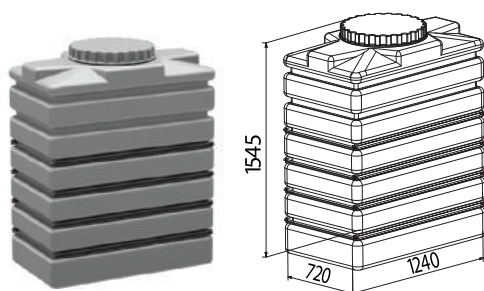
■ Capacity: 350 l	Capacity: 350 l
Colour: black	Colour: light grey
Item No. G0003767	Item No. G0003874



BASEMENT TANK GKT 0.5

with a cover (screwed)

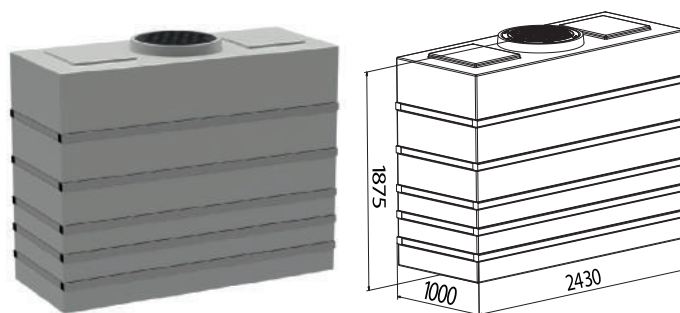
■ Capacity: 500 l	Capacity: 500 l
Colour: black	Colour: light grey
Item No. G0003875	Item No. G0001752



BASEMENT TANK GKT 1.25

with 4-fold steel profile and screw lid

■ Capacity: 1000 l	Capacity: 1000 l
Colour: black	Colour: light grey
Item No. G0000719	Item No. G0002461

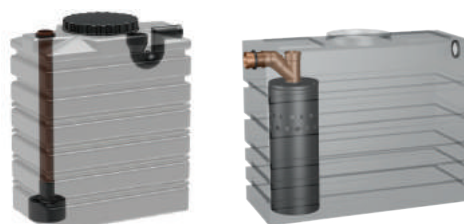


BASEMENT TANK GKT 4.0

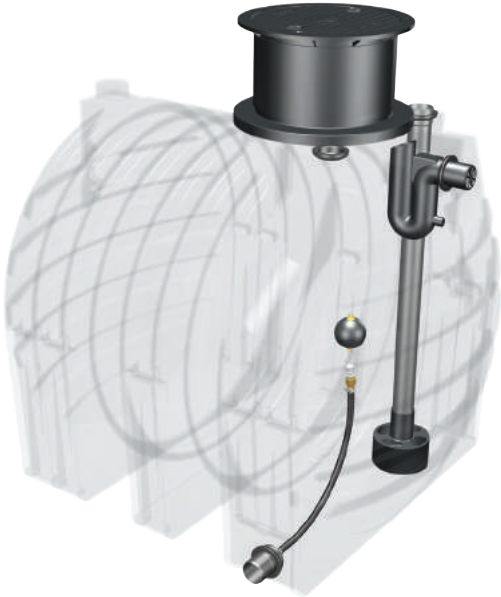
with 5-fold steel profile and cover

■ Capacity: 4000 l	Capacity: 4000 l
Colour: black	Colour: light grey
Item No. G0003776	Item No. G0003768

APPLICATION EXAMPLES:



RAINWATER RETENTION

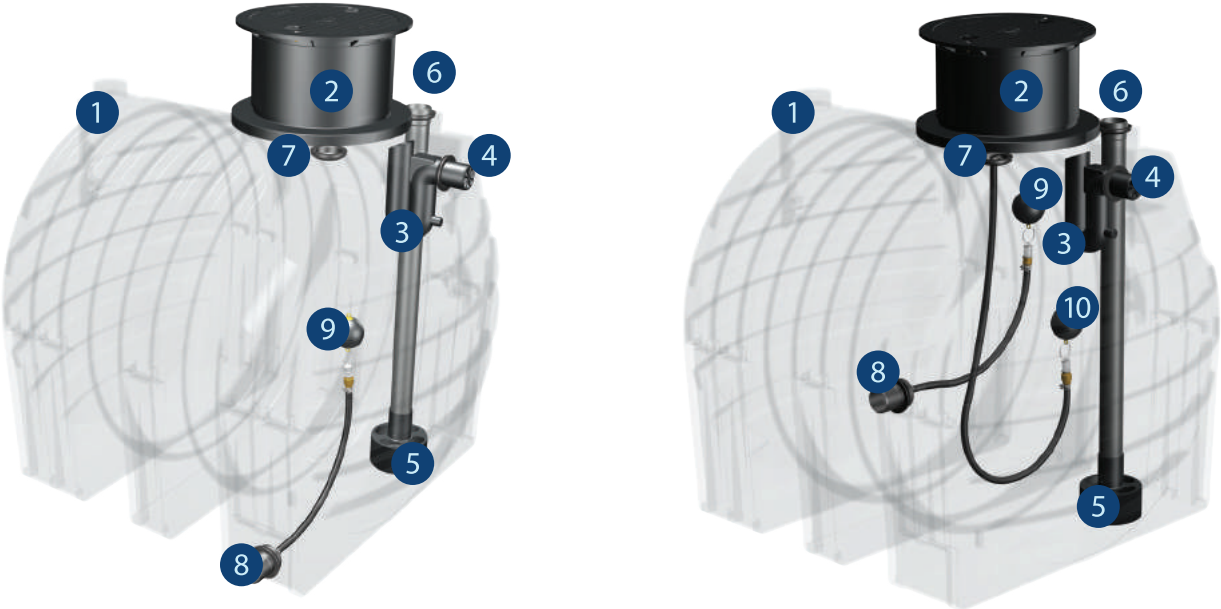


With appropriate selection of dimensions, this underground tank may be used simultaneously for rainwater harvesting in house and garden and for water retention.

Option to use the entire capacity of the tank for rainwater retention.
Standard: flow rate 0.3 l/s

Tank	Underground tank capacity	Retention capacity	Usable volume of rainwater	Item No.
GRT 2.2	2.200	2.200	-	G0002202
GRT 3.3	3.300	3.300	-	G0002203
GRT 4.7/2	4.700	2.350	2.350	G0002204
GRT 4.7	4.700	4.700	-	G0002205
GRT 6.5/2	6.500	3.250	3.250	G0002206
GRT 6.5	6.500	6.500	-	G0002207
GRFT 2.0	2.000	2.000	-	G0003629
GRFT 4.2	4.200	4.200	-	G0003630
flow regulator GRD-10				G0001721
flow regulator GRD-15				G0003866
flow regulator GRD-20				G0003867

RAINWATER RETENTION

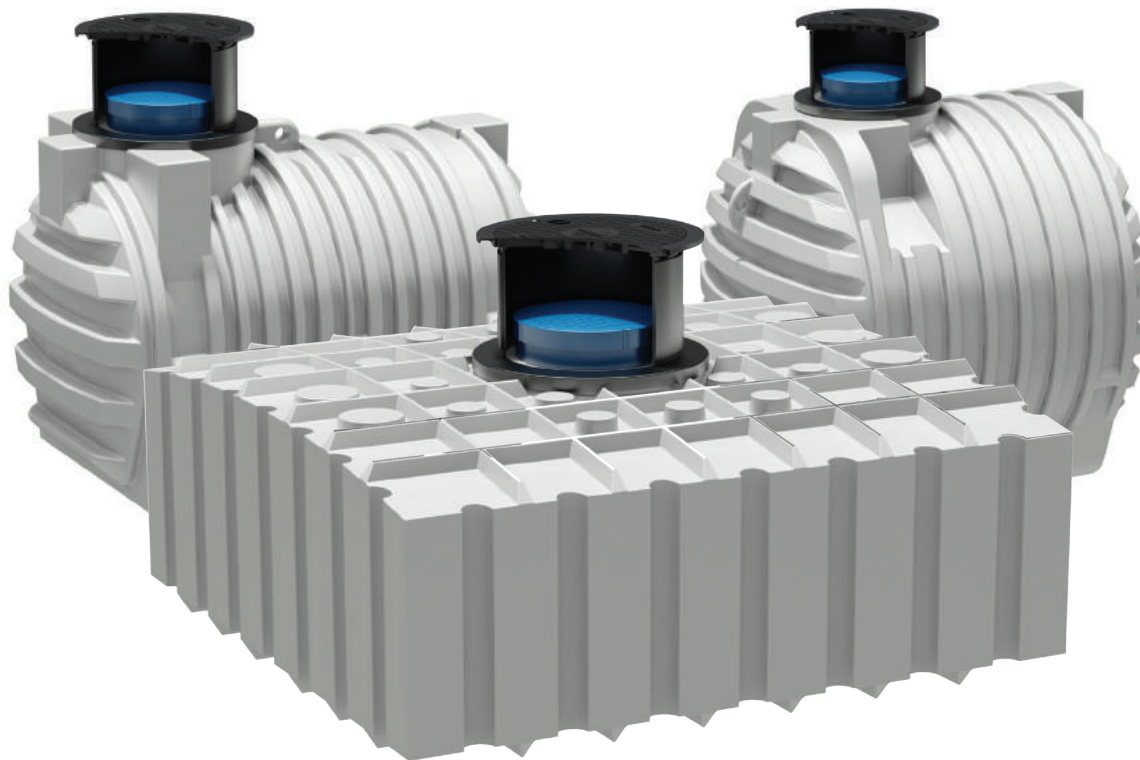


Growing number of municipalities require retention of rain water to relieve their stormwater networks during heavy rains and to ensure properly dimensioned new sewage networks. Retention tanks take-over rainwater and discharge it later in limited quantities to the stormwater networks. With a flow rate of 0.015 l/s the network is supplied for example with 2592 l of rainwater within 48 hours.

Legend / X = included in delivery

- | | |
|---|---|
| <ul style="list-style-type: none"> 1 X Underground tank 2 X Telescopic dome with a plastic cover 3 X Overflow siphon with protection against animals and skimmer effect 4 Discharge to storm-water drainage system 5 X Calmed inlet 6 Rainwater inlet | <ul style="list-style-type: none"> 7 Household connection 8 Retention discharge to storm-water drainage system 9 X Retention flow regulator with floating ball 10 Floating suction filter for rainwater • X 4 connections DN 100 |
|---|---|

UNDERGROUND TANKS FOR DRINKING WATER



"GreenLife" underground tanks for drinking water with a protective lock "Dom-in-Dom" they are designed to meet high hygiene requirements. Dimensions and weights are presented on pages 20 to 25.

a tank made of environmentally-friendly polyethylene suitable for drinking water
The inflow is carried out by a threaded connections 1" (included the delivery).

Underground tank capacity	Item No.
■ GTW 1.0 / 1.000 l	G0002197
■ GTW 2.2 / 2.200 l	G0002198
■ GTW 3.3 / 3.300 l	G0002199
■ GTW 4.7 / 4.700 l	G0002200
■ GTW 6.5 / 6.500 l	G0002201
■ GFTW 2.0 / 2.000 l	G0003646
■ GFTW 4.2 / 4.200 l	G0003647

1"



1/4"



EXTENSION KIT FOR SYSTEM U 1.1

Scope of delivery:

- 1 U 1.1 module consisting of
- 2 plastic panel for wall mounting
- 3 flow controllers with pressure gauge and protection against dry running
- 4 drinking water supply with a solenoid valve
- 5 clarified water pressure pump GUP 46 with floating suction filter
- 6 float switch for controlling the potable water back-up
- 7 pressure hose 20 m

Legend:

- 8 connection of the pressure pipe of mains water
- 9 connection of the rainwater pressure hose to consumers
- 10 connection of the rainwater pressure hose to clarified water pressure pump GUP 46 in the underground tank
- 11 HT pipe connection for supplying mains water to the underground tank

Complete set:

Item No. G0002142



EXTENSION SET FOR HOUSE AND GARDEN U 1.1

Extension set for Home & Garden U 1.1, designed for the existing rainwater tank, operates with a clarified water pressure pump.

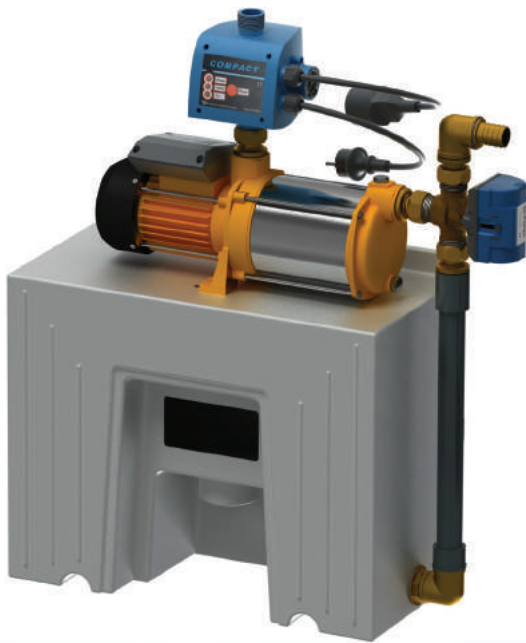
Advantages:

The sound of working pump does not disturb peace at home. Automatic device for switching (ON/OFF) controls water supply to all receivers automatically and reliably. If during a long drought the tank runs out of rainwater, it is immediately filled with mains water. There is always enough water. When the tank is filled with rainwater, the solenoid valve closes again.

RAINWATER MANAGER

RAINWATER MANAGER GRM 2.0 AUTOMATIC

Rainwater Manager GRM 2.0 supplies water to all consumers in a fully automatic way. If there is no rainwater in the underground tank (long drought), the pump is supplied directly from the tank with drinking water (mains water). When the tank is full again, it is automatically switched to be supplied with rainwater. Pump with protection against dry run. For GRM 3.0 switching is performed manually.



RAINWATER MANAGER MODULE GRM 2.0

including a connecting cable and plug

Item No. G0000386

EXTENSION SET FOR HOUSE AND GARDEN GRM 2.0

it consists of GRM 2.0 with GRM connection set, the suction hose of 10 m, floating suction filter and back-flow preventer

Item No. G0000419

Operational specifications of GRM 2.0*

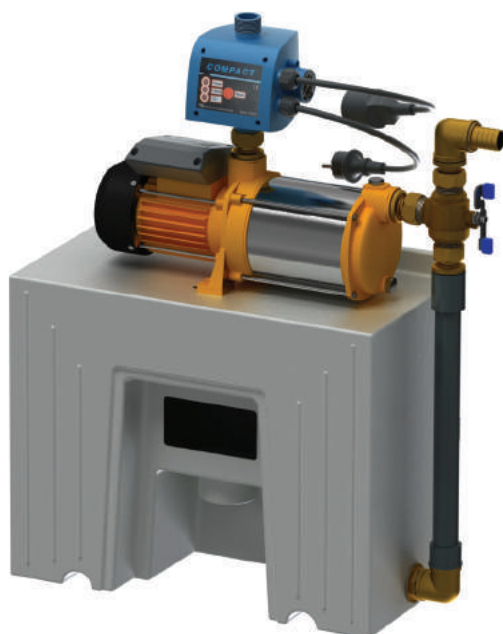
pump capacity	3.6 m ³ /h
max. pressure	3.6 bar
height of the device:	15 m
max. suction depth	8 m
max. rated power	800 W
Supply voltage:	230 V/50 Hz

Dimensions and weight of GRM 2.0*

W.x H.x D.	650 x 690 x 250 mm
suction pipe	1" female thread
discharge pipe	1" male thread
tap water connection	3/4" male thread
emergency overflow	nozzle DN 70
float switch	20 m (no ground cable)
weight	28 kg

RAINWATER MANAGER

RAINWATER MANAGER GRM 3.0 MANUAL



RAINWATER MANAGER MODULE GRM 3.0*

including a connecting cable and plug

■ Item No. G0000418

Operational specifications of GRM 3.0*

■	pump capacity	3.6 m ³ /h
	max. pressure	3.6 bar
	height of the device:	15 m
	max. suction depth	8 m
	max. rated power	800 W
	Supply voltage:	230 V/50 Hz



EXTENSION SET FOR HOUSE AND GARDEN GRM 3.0

it consists of GRM 3.0 with GRM connection set,
the suction hose of 10 m, floating suction
filter and back-flow preventer

■ Item No. G0002751

Dimensions and weight of GRM 3.0*

■	W.x H.x D.	650 x 690 x 250 mm
	suction pipe	1" female thread
	discharge pipe	1" male thread
	tap water connection	3/4" male thread
	emergency overflow	connector DN 70
	float switch	20 m (noground cable)
	weight	28 kg

BIOVITOR

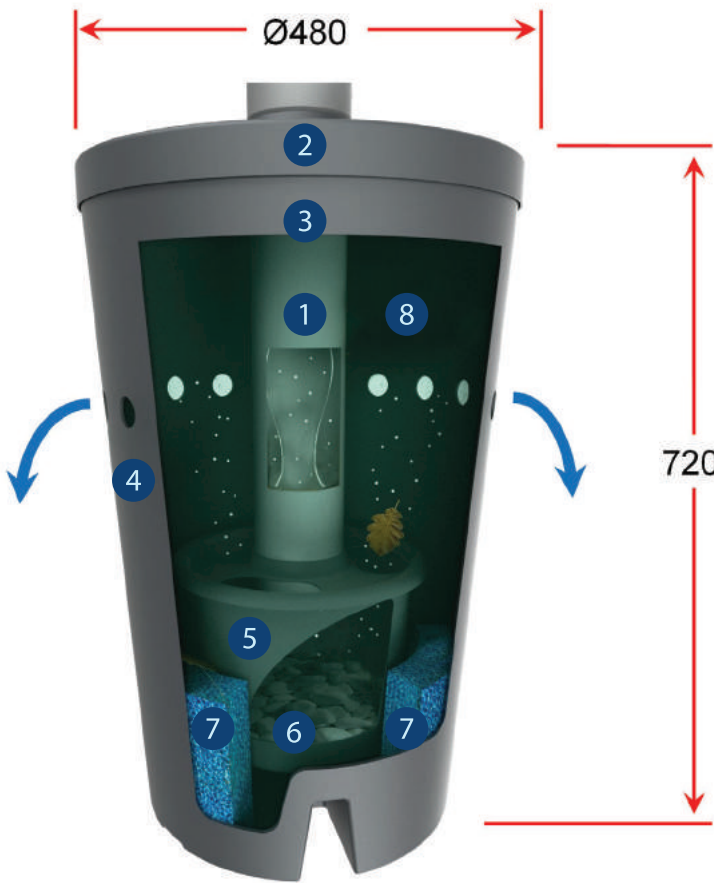


Advantages:

- high water yield, as no rainwater is lost due to dirty filters
- very long maintenance intervals (10 years and more; if fallen leaves are present - mounted the roof gutter grill or separator of leaves)
- ideal for draining water into the ground, as it has an option of direct connection
- based on a purely biological active principle to degrade all organic components in the rainwater
- non-organic components are settling down
- no expandable parts
- marble gravel neutralizes any potential acid rain effect



BIOVITOR



Legend:

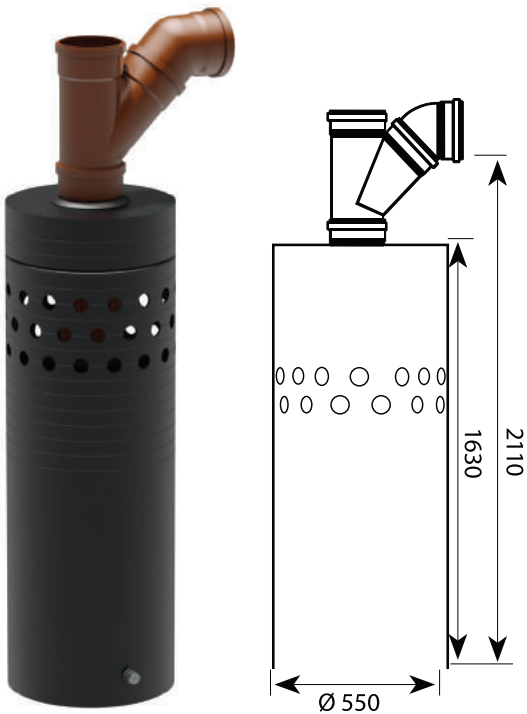
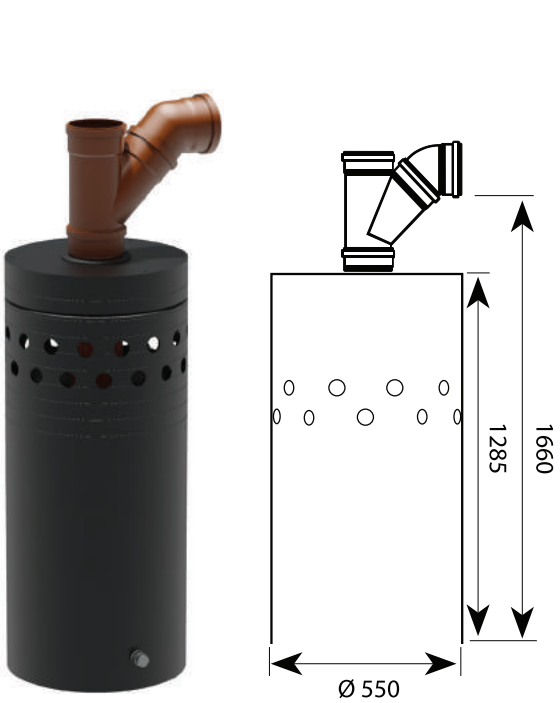
- 1 Rainwater inlet
- 2 Cover, screwed
- 3 Biovitor tank made of 100% environmental polyethylene
- 4 overflow to the tank
- 5 calmed inlet
- 6 Mineralized remains settle on the bottom
- 7 Foam for enlarging the growth space of microorganisms in order to obtain optimal purification conditions
- 8 bio-action space for the degrading of organic components

Biovitor purifies rainwater using patented method of biological treatment. The dimensional proportions of chambers and passages, which are perfectly sized and optimized for processes, ensure optimal biological processes with the highest efficiency.



Intended use:	inside the tank
Inflow:	DN 100
Max. connected surface (m ²): at max. l(s/ha)	200
Item No.	G0001405

BIOVITOR



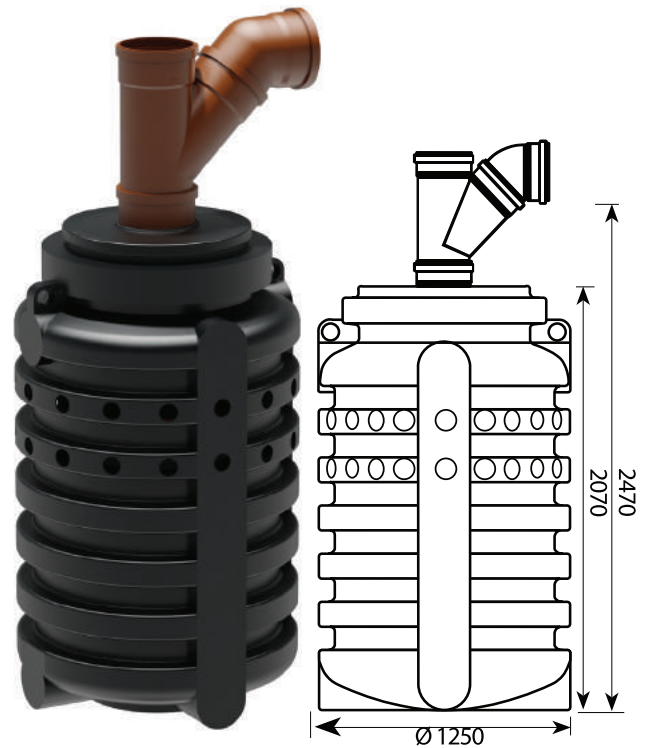
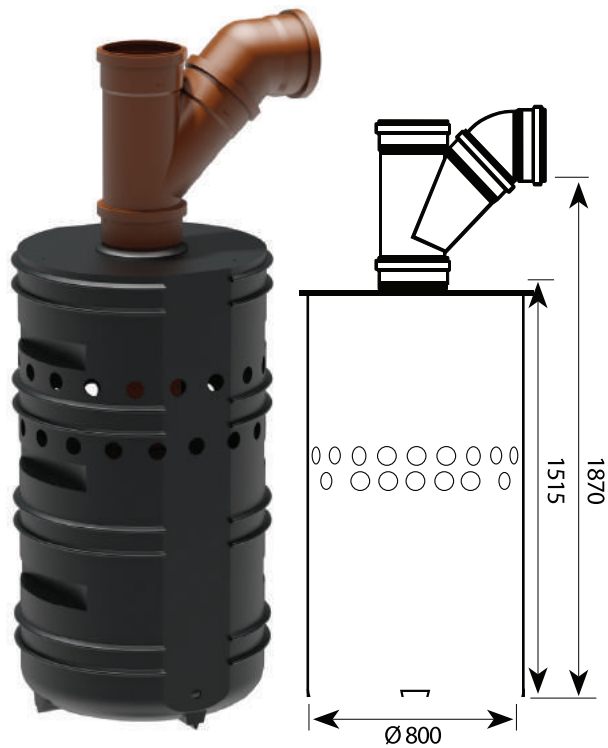
BIOVITOR DN 150

Intended use:	inside the tank
Inflow:	DN 150
Max. connected surface (m ²): at max. l(s/ha)	340
Item No.	G0002975

BIOVITOR DN 200

Intended use:	inside the tank
Inflow:	DN 200
Max. connected surface (m ²): at max. l(s/ha)	700
Item No.	G0002889

BIOVITOR



BIOVITOR DN 250

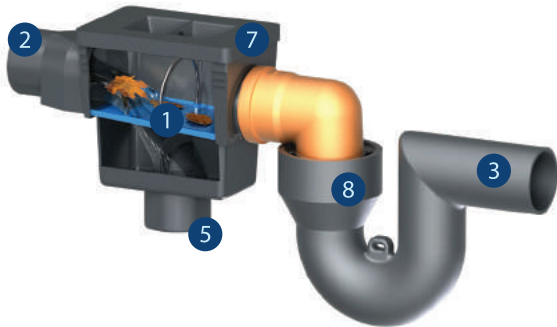
■ Intended use:	inside the tank
■ Inflow:	DN 250
■ Max. connected surface (m ²): at max. l(s/ha)	1200
■ Item No.	G0002976

BIOVITOR DN 300

■ Intended use:	inside the tank
■ Inflow:	DN 300
■ Max. connected surface (m ²): at max. l(s/ha)	2200
■ Item No.	G0002977

FILTERS

SUFFICIENT PERFORMANCE, RELIABLE OPERATION AND EASY MAINTENANCE



- 1 filter plate
- 2 rainwater inlet
- 3 discharge to storm-water drainage system or to percolation
- 4 inspection shaft
- 5 inflow to underground tank through the calmed inlet
- 6 adapter
- 7 cover
- 8 overflow siphon with a skimmer effect and animal guard
- 9 filter plate lifting hook
 - nominal width of connection DN 100
 - inlet and outlet as spigot for KG pipes

TANK INSTALLED FILTERS

including the filter insert made of plastic and a hook arm for filter, overflow siphon with skimmer effect and protection against animals for roof surfaces up to 160 m²

■ Item No. G0001723



GROUND INSTALLED FILTERS

with a filter insert made of plastic material for the roof areas up to 160 m², a hook for the filter, inspection/cleaning shaft with a cover

■ Item No. G0000378



BUILT-IN FILTERS

with suction basket and hook, inlet DN 100

■ Item No. G0002960

FILTERS

SUFFICIENT PERFORMANCE, RELIABLE OPERATION
AND EASY MAINTENANCE



COARSE FILTER BASKET

with a chain for use in lifting, percolation and filtration shafts. It is suspended below the inlet of the shaft / well. Easily accessible, easy cleaning.

■ Item No. G0001562



'RAINUS' - FILTER FOR DOWN PIPES

Leaves and large impurities are filtered by the cascade, whereas the finer contaminants through a screen and thrown forward. Easy maintenance. Suitable for draining water into the soil.

■ Item No. G0000392



FLOATING SUCTION FILTER

with a screen made of stainless steel and back-flow preventer made of brass to collect rainwater right under the surface where it is cleanest.

■ Item No. G0001305 Item No. G0000845 Item No. G0000846

With the suction hose of 5 m and fixing clamps With the suction hose of 10 m and fixing clamps



SEPARATOR OF LEAVES FOR DOWN PIPES

Leaves and large impurities are continuously separated. For using with larger quantities of pollutants as a pre-filter. For installation in drain pipes 80 and 100. Reducer is included

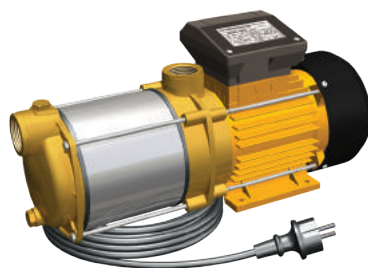
■ Item No. G0000848 brown
■ Item No. G0000375 grey

PUMPS



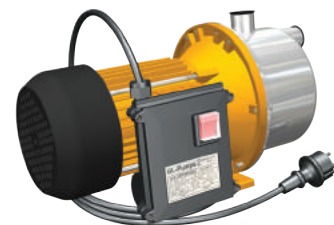
MH800 4M

- self-priming, 4-stages
- stainless steel shaft
- casing made of cast iron/stainless steel
- stainless steel impellers
- suitable for continuous operation
- 1" connections
- quiet operation



MH 60 M4

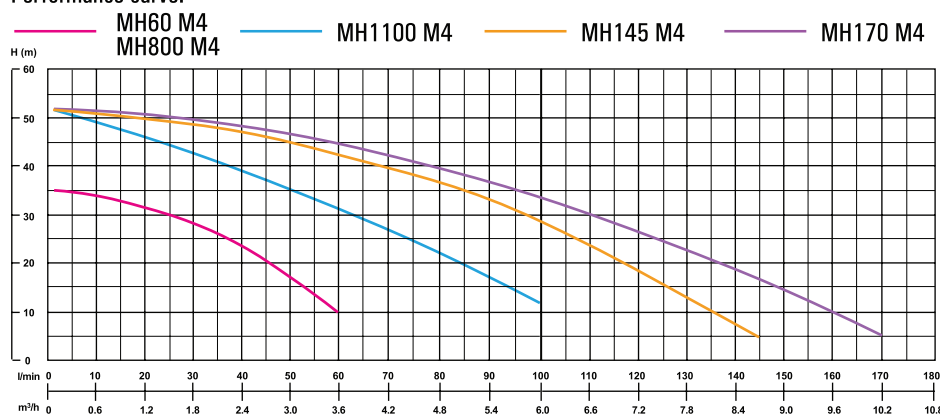
- self-priming, 4-stages
- stainless steel shaft
- casing made of cast brass/stainless steel
- stainless steel impellers
- suitable for continuous operation
- 1" connections
- quiet operation



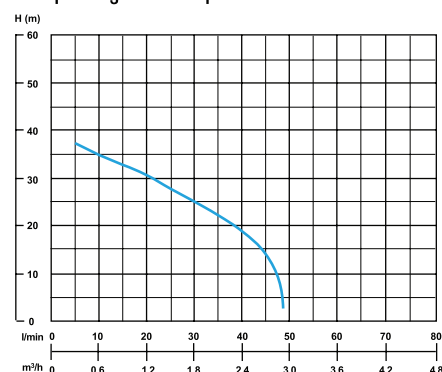
JET-CENTRIFUGAL PUMP

- stainless steel shaft
- stainless steel casing
- impeller made of wear resistant plastic
- 1" connections

Performance curve:



self-priming JET-Pump



	Pump	Max. delivery height	Pump capacity	Motor power	Item No.
■	Pump MH800 4M* with a connection cable	35 m (3,5 bar)	60 l/min.	0,8 kW	G0001308
■	Pump MH60 4MB* with a connection cable	35 m (3,5 bar)	60 l/min.	0,88 kW	G0001973
■	Pump MH1100 4M* with a connection cable	52 m (5,2 bar)	90 l/min.	1,1 kW	G0002156
■	Pump MH145 4M* with a connection cable	52 m (5,2 bar)	145 l/min.	1,65 kW	G0001636
■	Pump MH170 4M* with a connection cable	52 m (5,2 bar)	170 l/min.	1,75 kW	G0001637
■	Self-priming centrifugal pump 'Jet'* with a connection cable for garden irrigation, Switch (ON/OFF), carrying handle, quiet operation, suitable for continuous operation	38 m (3,8 bar)	50 l/min.	0,8 kW	G0001289

PUMPS



X1000 / 1200

- Submersible pressure pump with an integrated (in)activation unit
- an integrated protection against dry run
- automatic reset
- side suction connection 1" with a strainer filter



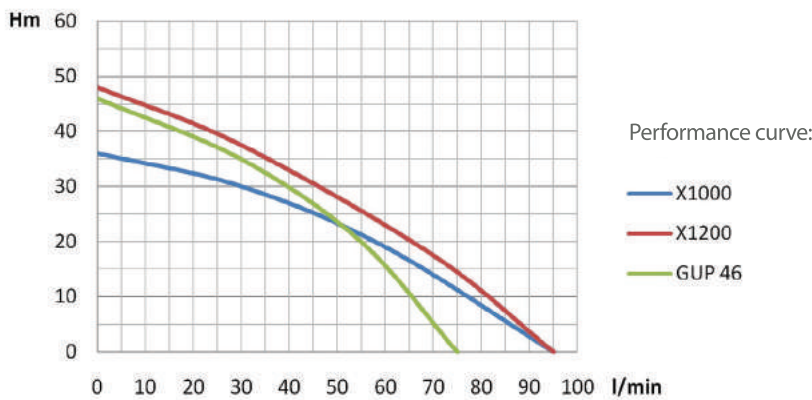
GUP 46

- 4-stage
- stainless steel shaft
- stainless steel casing
- stainless steel impellers
- suitable for continuous operation
- 1 1/4" connections



TPV 200 V / A

- sewage pump (particles up to 20 mm)
- high-quality plastic
- constructed for years of operation



Pump	Max. delivery height	pump capacity	Motor power	Item No.
■ Delivery pump TPV 200 A for pumping wastewater, connection cable 5 m	7 m	140 l/min.	0,25 kW	G0000045
■ Delivery pump TPV 200 V see TPV 200 A with vertical floating switch, as a protection against dry running	7 m	140 l/min.	0,25 kW	G0000046
■ Pressure pump for purified water X1000* including connection cable (15 m) and automatic device for switching ON/OFF with protection against dry running	36 m (3,6 bar)	95 l/min.	0,9 kW	G0002346
■ Pressure pump for purified water X1200* including connection cable (15 m) and automatic device for switching ON/OFF with protection against dry running	48 m (4,8 bar)	95 l/min.	1,1 kW	G0002582
■ Pressure pump for purified water GUP 46* connection cable 15 m, with a floating switch as protection against dry running, all water pipes made of stainless steel	44 m (4,4 bar)	75 l/min.	0,85 kW	G0001587

* for transferring purified water. The illustrations may not reflect all proportions.

ACCESSORIES

SUFFICIENT PERFORMANCE, RELIABLE OPERATION
AND EASY MAINTENANCE



Automatic switch 54

with a pressure gauge for automatic pump control,
protection against dry running, fully wired

Item No.G0000399



Automatic switch 65

with a pressure gauge for automatic pump control,
protection against dry running, fully wired

Item No.G0001175



Automatic switch 87

with a pressure gauge for automatic pump control,
protection against dry running, fully wired

Item No.G0003782



Filling level indicator

works without electricity, for rainwater tank,
pneumatic meter with a manual pump, remote
measurement - up to 50 m, smooth adjustment
of tank height from 1.0 m to 2.5 m, an impact
resistant plastic housing with a measuring cable
20 m and fixing elements

Item No.G0000408



Filling level indicator

digital device for rainwater tank, measuring cable
of 20 m, indicator in %, voltage of 9 V -safe
for children, housing dimensions
in mm: 120 x 80 x 57

Item No.G0002208

ACCESSORIES

SUFFICIENT PERFORMANCE, RELIABLE OPERATION
AND EASY MAINTENANCE



Wall bracket

for Amiga 800/1100 pump, made of stainless steel with hooks and rubber shock absorbers for damping vibrations and noises

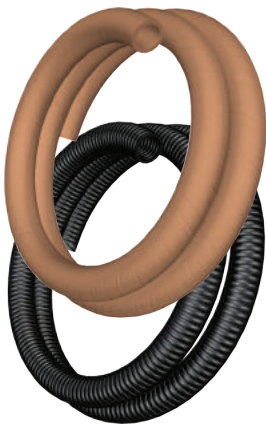
Item No.G0001347



Wall bracket for automatic switches - 54/65/87

made of stainless steel

Item No.G0001176



Rainwater pressure hose 1"

Working pressure up to 20 bar, reinforced with fabric

Item No.G0001226

Rainwater pressure hose 1"

spiral reinforcement

Item No.G0000402



Mains water back-up "System" with free outflow

Electric control of mains water supply with free outflow of water to the tank

Item No.G0002061

Scope of delivery:

Solenoid valve DN 13 (connection 3/4") with a connection cable and plug, armoured hose, shut-off ball valve, stainless steel bracket, floating switch with a connector cable of 20 m, adjustable calibration weight and an adapter.

ACCESSORIES

SUFFICIENT PERFORMANCE, RELIABLE OPERATION
AND EASY MAINTENANCE



Calmed inlet

for improving water quality by reducing too strong turbulence of bottom sediments, supplying oxygen

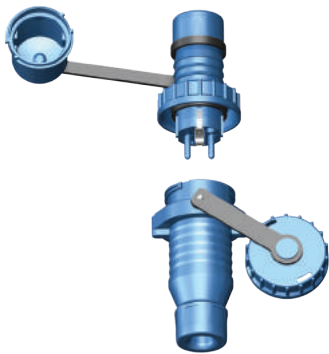
Item No.G0000364



Overflow siphon

with protection against animals and skimmer effect

Item No.G0000367



Pressure and waterproof plug and connector IP 68

according to DIN 49442/443, 2-pole + ground, 16 A, 250 V

Item No.G0002150

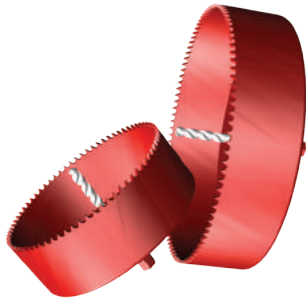


Rubber-lipped seals

Pipe	Bore	Item No.
DN 32	Ø 35 mm	G0002440
DN 40	Ø 46 mm	G0002500
DN 50	Ø 57 mm	G0000713
DN 70	Ø 81 mm	G0000715
DN 100	Ø 127 mm	G0000717
DN 150	Ø 174 mm	G0001437
DN 200	Ø 217 mm	G0001788
DN 250	Ø 265 mm	G0002961
DN 300	Ø 335 mm	G0002962

ACCESSORIES

SUFFICIENT PERFORMANCE, RELIABLE OPERATION
AND EASY MAINTENANCE



Hole circle saw

Ø 127 mm with a drill (central drill)
and adapter for rubber-lipped seal DN 100

Ø 174 mm with a drill (central drill)
and adapter for rubber-lipped seal DN 150

Item No.G0002078

Item No.G0000133

Seal through the wall for pipes and electrical cables

Some plugs do not have to be initially disassembled.



DN 100

1 x Ø 32 mm + 2 x cable grommet

DN 100

2 x Ø 32 mm + 2 x cable grommet

DN 110

1 x Ø 32, 1 x Ø 50 mm + 2 x cable grommet

Item No.G0000411

Item No.G0001407

Item No.G0001682



Water connection box

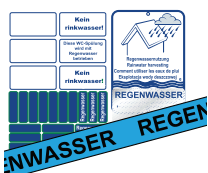
for secure protection
of garden connections
with aluminium separators and
a shut-off cock and hose adapter
1/2" and 3/4"

granite-grey

moss-green

Item No.G0001256

Item No.G0001255



Labelling set

Item No.G0000872

ACCESSORIES

SUFFICIENT PERFORMANCE, RELIABLE OPERATION AND EASY MAINTENANCE



High-pressure side pump connection set

1 reinforced hose with 1" ball valve

Connection set for GRM

1+2 reinforced hose with 1" ball valve, reinforced hose with 3/4" ball valve

Item No.G0000936

Item No.G0002360



Feeder pump set with a controller ready for insertion

Submersible pump improving the operational safety for use in particularly difficult geodetic conditions or in case of pressure loss between the rainwater tank and the rainwater manager during unfavourable conditions for suction. Direct mounting to a floating intake device.

Item No.G0002159



Accessories

for clarified water pressure pumps X1000, X1200 & GUP 46 - floating suction filter 1m designed for connection with the suction connector

Item No.G0002588

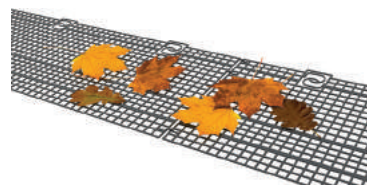
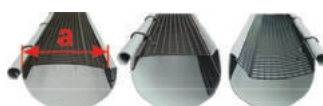


Gutter grill

with filtering properties, made of plastic resistant to weather (UV-resistant)

Colour: black,

The length of the grill: approx. 600 mm, for gutters with a width from 90 to 150 mm



Gutter grill
A set of 3 m (5 pcs, 600 mm each)

Item No. G0002303

Set: 10 m (17 pcs - 600 mm each)

Item No. G0002375

Set: 20 m (34 pcs - 600 mm each)

Item No. G0002376

PERCOLATION

YOU CAN DRIVE ON SOAK-AWAY STORAGE TANKS, IF THEY ARE INSTALLED 80 CM UNDERGROUND IN COMPLIANCE WITH THE INSTALLATION INSTRUCTIONS

They have good ecological reasons and allow you to save money, as if there is discharge channel to public network, there are no fees for enclosed areas that are already collected by many municipalities - currently they vary between EUR 0.60 and 1.60 per m² annually. Towns and municipalities are required to introduce this fee to ensure righteous charges; in this way you pay only for the actual closed surfaces instead of a flat rate.

Percolation blocks, resistant to the loads of cars and truck moving over them

(Please follow the installation instructions!)

GreenLife absorption tanks made of polypropylene are ideal for the decentralized water retention and draining water into the ground:

- high volatility due to the flexible system block
- low trench depth (ideal for surface water distribution and in areas with a high ground water table)
- 95% of the tank capacity (replaces absorbent tube and drainage gravel)
- high load-carrying capacity
- wide variety of applications (draining water into the ground, retention, stormwater system)
- flexible (percolation blocks / cubes may be placed one after another, if necessary)

General information

Draining water into the ground through a biologically active layer of soil (native soil layer consisting of grass and at least 30 cm of native soil) is the only type of draining that does not require a permit in the Federal Republic of Germany. Generally, all other types of draining a permit. To obtain such a permit, the owner must always apply to the appropriate construction authority. Despite this, it is recommended to perform the draining/infiltration test, as in spite of the permit the investor always acts on his own responsibility.

Percolation test: Dig a pit of 50 x 50 x 50 cm and fill it continuously with water for 2 hours (to saturate the substrate with water), then fill the pit with water to a height of 30 cm and measure the time required for soak it into ground. The speed of lowering water level in the pit indicates absorptive properties of the soil. Please compare the result with the table, in order to choose the tank capacity. If the water level has not decreased, then do not locate the system for draining water to the ground in this place.

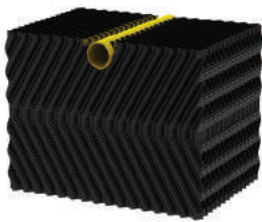
Table with tank capacity / number

Percolation test – lowered water level / time	Connected closed area (m ²)	Retention capacity (litres)	Number of 280 l tanks	Number of 205 l cubes
■ over 15 cm / 30 min.	100	950	4	5
■ over 5 cm / 30 min.	100	1.900	7	9
■ over 15 cm / 90 min.	100	2.700	10	13
■ 2 to 5 cm / 90 min.	100	3.100	11	15

PERCOLATION

YOU CAN DRIVE ON SOAK-AWAY STORAGE TANKS, IF THEY ARE INSTALLED 80 CM UNDERGROUND IN COMPLIANCE WITH THE INSTALLATION INSTRUCTIONS

Percolation block 280 l for rainwater



- Capacity: 280 l
Item No. G0001224
Connections: DN 100
- Capacity: 280 l, resistant to the load of a moving truck weighing up to 30
Item No.: G0001421

Earth installation filter for percolation with a cover and suction basket



- 2 connections DN 100 with rubber-lipped seal, height: 1050 mm, diameter: 400 mm, Item No.: G0001265

Percolation cube 205 l for rainwater



- Capacity: 205 l, connections: DN 100/150
Item No.: G0003583

Ventilation, emergency overflow



- connection: DN 100, Item No.: G0001017

Percolation block 140 l for purified wastewater



- Capacity: 140 l connections: DN 100
Item No.: G0002305

Geotextiles



- 200 g/m²
Item No. G0001322

Dimensions of percolation blocks / cubes

	Height in mm	Width in mm	Depth in mm	Weight in kg
percolation block 280 l G0001224/G0001421	600	800	600	8,70/10,65
Percolation cube 205 l G0003583	600	600	600	9,45
Percolation block 140 l G0002305	600	400	600	4,10

Necessary quantity of geotextiles, when absorptio tanks/cubes are arranged linearly

Number of percolation blocks/cubes	1	2	3	4	6	8	10
Quantity of geotextiles per m ² for							
G0001224 and G0001421	5	7	9	11	15	19	23
G0003583	4	6	7,5	9	12	15	18
G0002305	4,5	6	7,5	9	12	15	18

PERCOLATION

YOU CAN DRIVE ON SOAK-AWAY STORAGE TANKS, IF THEY ARE INSTALLED 80 CM UNDERGROUND IN COMPLIANCE WITH THE INSTALLATION INSTRUCTIONS



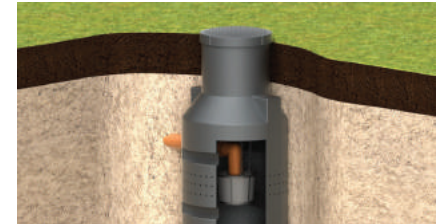
Percolation

rainwater from isolated surfaces such as paved, concrete or cobbled courtyards, roads, parking lots, access roads, terraces etc.



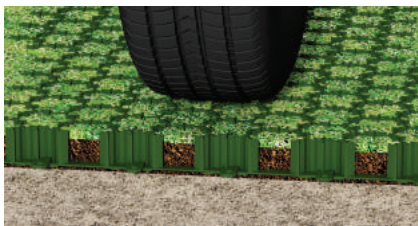
Percolation

purified water discharged by the rainwater system.



Percolation

rainwater from roofs of residential houses, sheds, garages and larger greenhouses etc.



Percolation

of rainwater through the lawn grid with crushed stone or through ground / lawn.



Percolation

of purified water coming out of a small sewage treatment plant.

Table of gravel quantities for percolation shaft

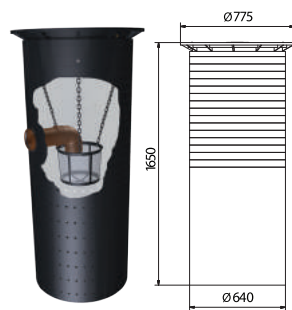
Percolation test level decrease / time	Volume of gravel per 1 drainage shaft (m ³)
over 15 cm / 30 min	1
over 5 cm / 30 min	3
over 5 cm / 90 min	5
2 to 5 cm / 90 min	7

Percolation water by the shaft

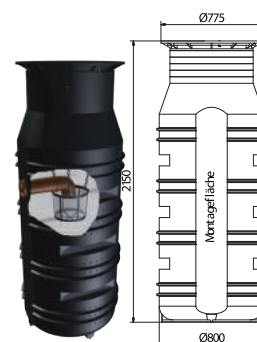
Percolation water by the shaft is a special form of percolation, which is particularly useful when you can not use the percolation blocks / cubes. All draining shafts have drainage holes, suction basket and a connection with a rubber-lipped seal DN 100 for inflow pipe.



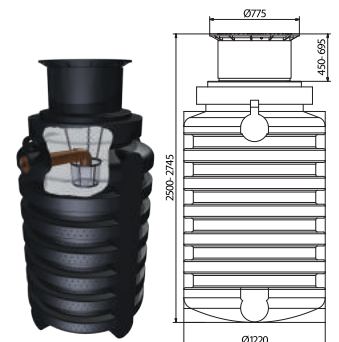
Percolation shaft 140 l
Item No.: G0003699



Percolation shaft 500 l
Item No.: G0003700



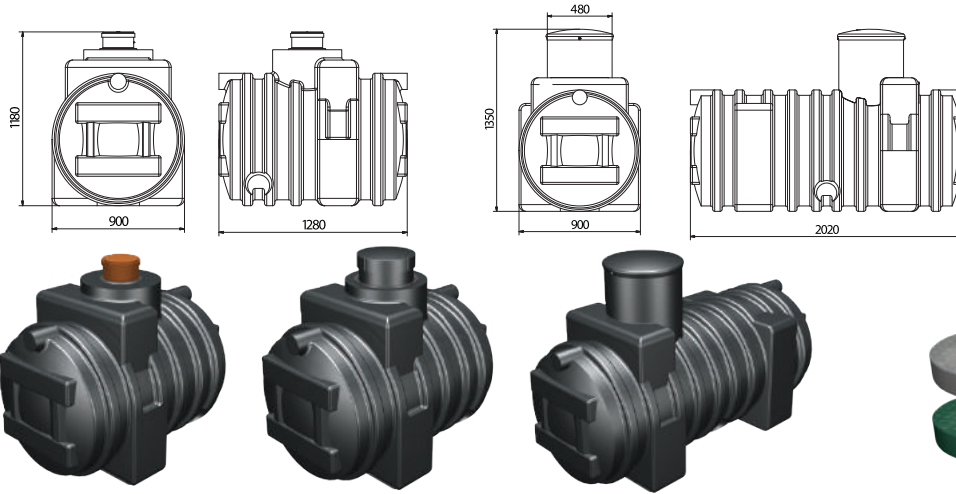
Percolation shaft 950 l
Item No.: G0003701



Percolation shaft 2000
Item No.: G0003703

STORAGE TANKS FOR WASTEWATER AND SEWAGE

DIBT APPROVAL 1-40.24-140



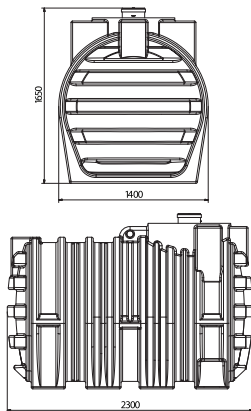
Name	GET 0.7 AW1	GET 0.7 AW2	GET 1.0
Capacity:	700 l	700 l	1000 l
Equipment	including inspection shaft DN 200	including inspection shaft DN 300	including inspection shaft DN 500
Pit dimensions (L./W./D.in m)	1.90 x 1.50 x 1.28	1.90 x 1.50 x 1.28	1.90 x 1.50 x 1.28
Item No.	G0002936	G0003611	G0001429

COVER + FRAME for GET 1.0
material: galvanized steel
child-safe protection by double screwing of the cover.

DOME EXTENSION
GET 1.0
In order to ensure precise matching, always order it with the tank!
Superstructure: 300 mm /net/

Item No. G0000389 galvanized
Item No. G0002448 moss-green

Item No. G0001719



Name	GET 3.0 AW1	GET 3.0 AW2	GET 3.0 AW3
Capacity:	3.000 l	3.000 l	3.000 l
Equipment	including inspection shaft DN 200	including inspection shaft DN 500 and screwed cover	including inspection shaft DN 300
Pit dimensions (L./W./D.in m)	2,90 x 2,00 x 1,68**	2,90 x 2,00 x 1,90**	2,90 x 2,00 x 1,80**
Item No.	G0001545	G0000274	G0003612

STORAGE TANKS FOR WASTEWATER AND SEWAGE

ACCESSORIES



RUBBER-LIPPED SEAL

DN 100

Item No.G0000717



VENTILATION

connection:DN 100

Item No.G0001017



DOME EXTENSION GET 3.0 AW2

for pits with variable depth

Item No.G0000305



SUCTION DEVICE

DN 100 installed in the tank

Item No.G0001539



SUCTION ELBOW 90°

DN 100 with end plug

Item No.G0003050



GOOSE NECK

For emptying the tank at the border of the plot. Galvanized equipment for pumping out has an adapter for DN 100 muffle. Suction hose with appropriate pipe may be arranged by the customer. Scope of delivery: Elbow "S" with end plug

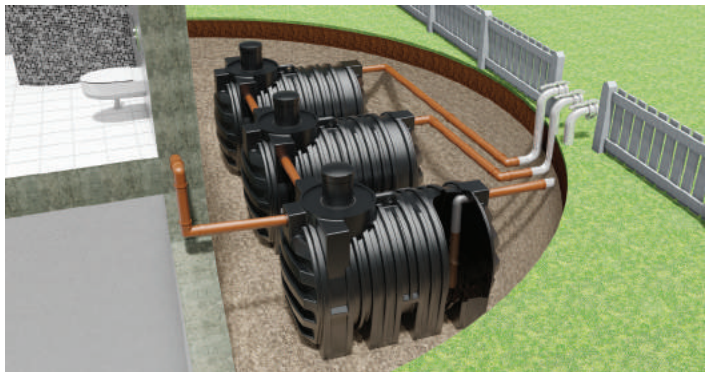
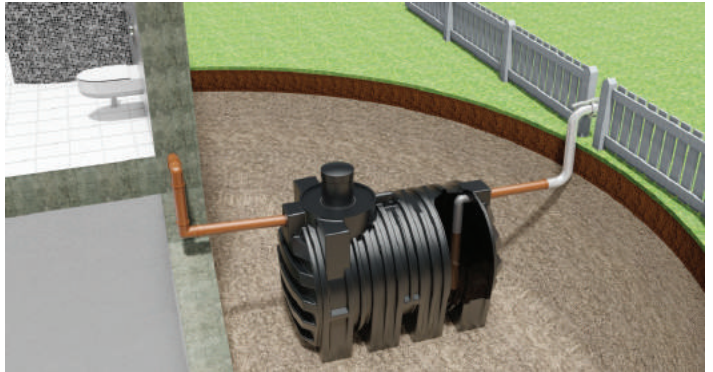
Item No.G0001516



OVERFILL ALARM "BEEB PLUS"

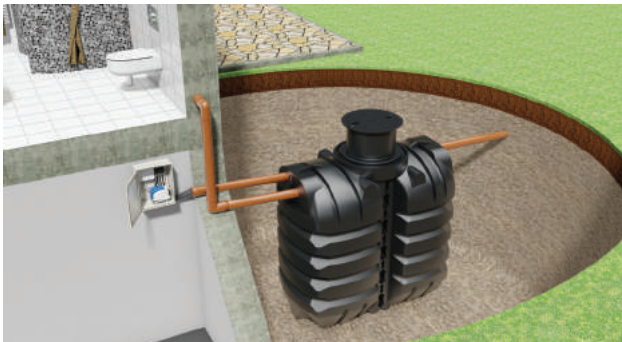
optical signals (flashing light) and acoustic (65 dB) when the storage tank/pit is filled and should be emptied. Function: ON / OFF / test
Scope of delivery: an electronic alarm device with manual shutdown, components for mounting on a wall, power supply connection cables and floating switches

Item No.G0002908



PREMIUM ECO - HOUSEHOLD WASTEWATER TREATMENT PLANT

SBR TECHNOLOGY MADE FOR C AND D DISCHARGE CLASSES



SBR technology - what is it?

SBR means Sequencing Batch Reactor - the purification of wastewater occurs in stages that take place consecutively. SBR equipment are proven by many years of operation, have favourable price and are very reliable.

Advantages:

- modern technology
- proven in many-year operation
- high operational reliability
- unreliable water pumps are not used
- low power consumption
- quick installation
- no electrical system components in water
- excellent parameters at the outlet also in terms of de-nitrification
- Made in Germany for European customer

Operation: simple - efficient - reliable

Stage 1 charging/ pretreatment

Domestic sewage flows into the first chamber. Solids sink to the bottom. In this way, pre-treated water enters into the second chamber.

Stage 2 biological treatment of wastewater

Here effective biological cleaning takes place; it is performed only by micro-organisms, which are particularly effective thanks to the introduction of air. Alternately performed aeration and rest stages ensure good living conditions for microorganisms.

Stage 3 stabilization

In stabilization stage, sediment materials and activated sludge falls down. In the upper part of the chamber, a zone of purified water is formed.

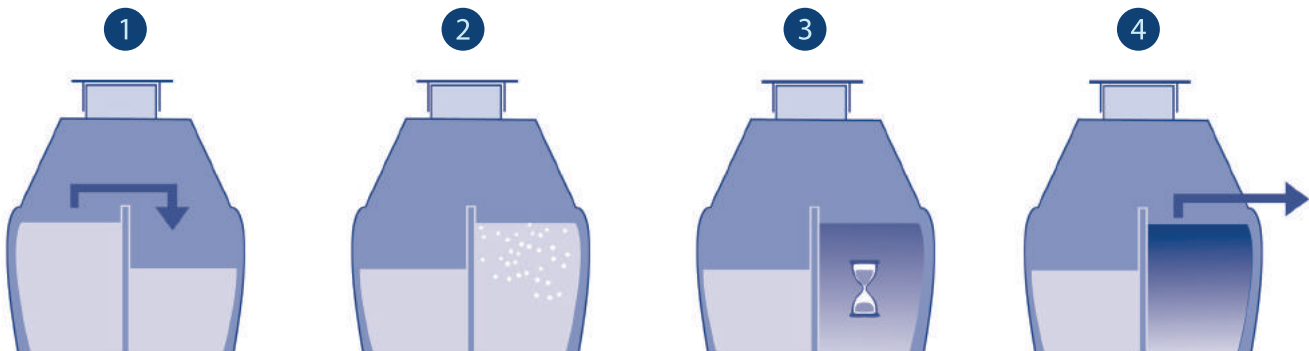
Stage 4 Discharging purified water

At the end of the stabilization stage, purified water is transferred from the tank e.g. via sampling container to the system draining water into the ground or to natural water reservoirs. The activated sludge is transported back to the first chamber.

PREMIUM ECO - HOUSEHOLD WASTEWATER TREATMENT PLANT

SBR TECHNOLOGY MADE FOR C AND D DISCHARGE CLASSES

Operation: simple - efficient - reliable



	Dimensions of the system	Item No.
■	system 4 EW	G0002542
■	system 6 EW	G0002275
■	system 8 EW	G0002288
■	system 10 EW	G0002580
■	system 12 EW	G0002794
■	system 16 EW	G0002811
■	system 18 EW	G0002812

German Institute of Construction Technology (DIBT), classifies the household wastewater treatment plants in accordance with discharge classes. The competent environmental authority defines the water discharge class for the area, where the plant is to be constructed. 'Premium Eco' system is designed for C and D discharge class:

- Discharge class C means:
Reliable basic purification with the carbon removal (COD, BOD).
- Discharge class D means:
In addition, nitrogen is also microbiologically removed from water.

Transport of water and sediment between the chambers of the tank takes place by using a reliable pumping technique - air bubbles rise water and sediment.

Aeration is carried by the aeration pump, which produces a uniformly compressed air. The pump of household sewage treatment plant has aeration hoses connected to supply individual components with air.

The control is performed electronically. The control cabinet includes controls and aeration pump. Both indoor and outdoor installation is possible. The control itself is ready for connecting i.e. you need only 230 V socket.

The device operates in automatic mode. All the parameters are already preset. All system components are pre-fabricated in a manner requiring the user only to connect individual modules.

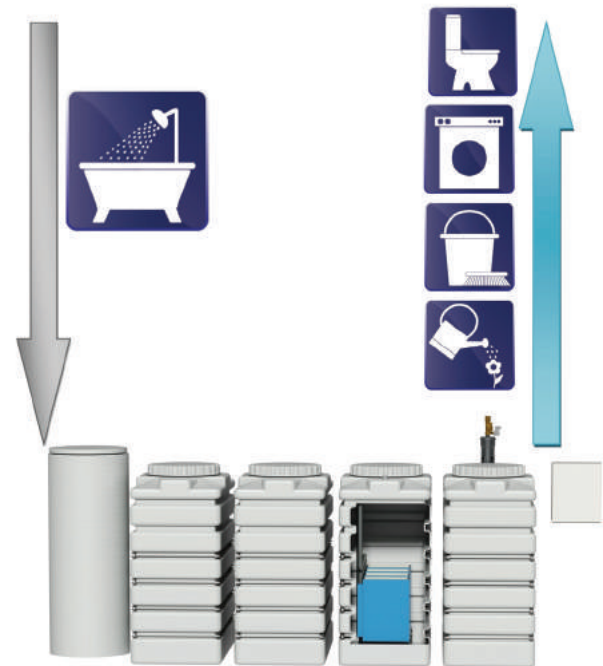
Purified water is transferred through the sampling reservoir, which is equipped with an emergency overflow and return lock. The only necessary pump is located above the wastewater in the cabinet and is connected to the socket built into the control system. Maintenance should be performed by a qualified person.

GREYWATER-RECYCLING-SYSTEMS

HIGH LEVEL OF SAFETY DUE TO PATENTED PROCESS

Long-term management of GreenLife water resources

The use of rainwater and/or reuse of certain portion of wastewater e.g. greywater, significantly helps to reduce the constantly increasing costs of water and wastewater. Greywater is wastewater generated during daily care for human body - i.e. it comes from sinks, bathtubs and showers, and is therefore almost inexhaustible resource, while rainwater is also available. Greywater is not highly contaminated, it is free from faecal matter and solids, and includes only slight amount of bacteria. It is collected in a separate network of pipes and possibly separated along with the treated rainwater.



The operation principle of GreenLife systems for the use of greywater

The technology of bio-membrane filters (Micro-Clear®) guarantees full separation of the biomass from the purified greywater. In this way, the user may obtain purified water free of solids and with removed all bacteria and viruses in almost 100%. The overall purification process consists of a biological treatment and ultrafiltration (membrane bio-reactor MBR). After that water is stored in the purified water tank or transferred to the rainwater tank.

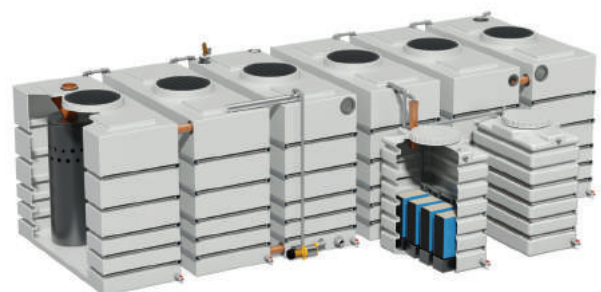
Einsatzorte für Grauwassernutzungsanlagen:

- hotels / pensions
- swimming pools and saunas
- Boarding houses, dormitories, youth hostels, camping sites
- single- and multi-family houses
- sports facilities
- industry and crafts

Result:

Generated water presents no hygiene risk and it is suitable in particular for:

- flushing toilets
- watering gardens
- cleaning
- washing



GREYWATER-RECYCLING-SYSTEMS

HIGH LEVEL OF SAFETY DUE TO PATENTED PROCESS



GWI 1.0-250

- Installation indoor
- Daily capacity 250 l
- Equipment Complete system consisting of 2 tanks of 500 l, a controller and mains water back-up and clarified water pressure pump
- Item No. G0001740

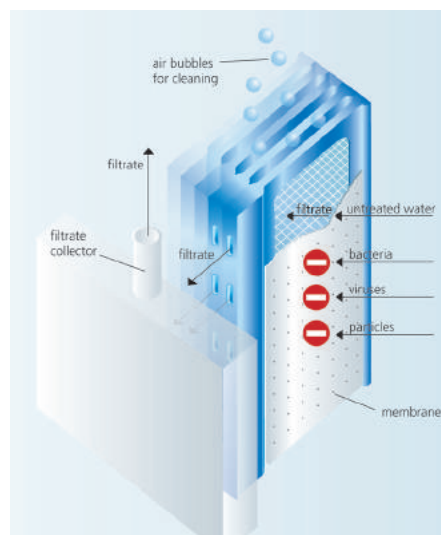
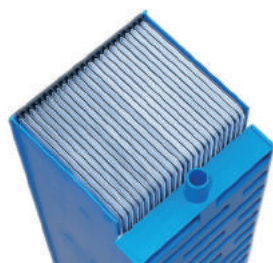


GWO 1.0-250

- Installation outdoor
- Daily capacity 250 l
- Equipment Complete system consisting of 2 tanks of 950 l, a controller and mains water back-up and clarified water pressure pump
- Item No. G0001739

The heart of groundwater system: Patented membrane filter

Maintenance costs are extremely low: Once a year you should inspect the operation of system components and possibly simple rinse the filter membrane. Membrane filter may treat greywater for many years, supplying clean hygienic water.



GREYWATER RECYCLING

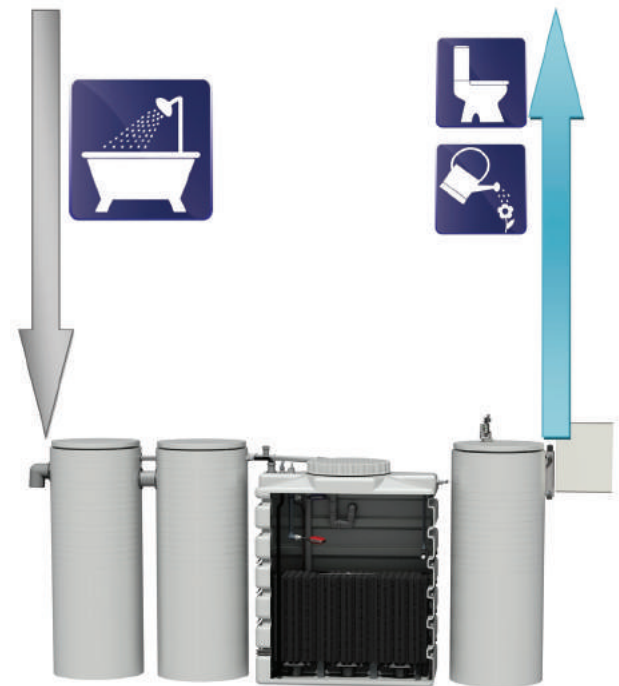
PROCESS BASED ON FIXED-BED REACTOR AND UV DISINFECTION

The principle of operation of GreenLife equipment for greywater recycling

GW-FB devices for greywater recycling are available with the daily capacity of greywater treatment starting at 250 litres/day. The system is suitable for treatment of low-contaminated water after body care (shower, bathtub, sink).

Usable water is free from solids, it is biologically purified with oxygen from air and disinfected by UV rays. No chemical additives are used. Usable water is well suited for flushing toilets and watering gardens.

The system operates semi-automatically. The annual maintenance inspection may be carried out independently, basing on instructions supplied with the device. No special materials are required. It takes about 2 hours, depending on the intensity of work and skills. The daily electricity consumption is approx. 1.5 kWh per m³.



Result:

Generated water presents no hygiene risk and it is suitable in particular for:

- flushing toilets
- watering gardens

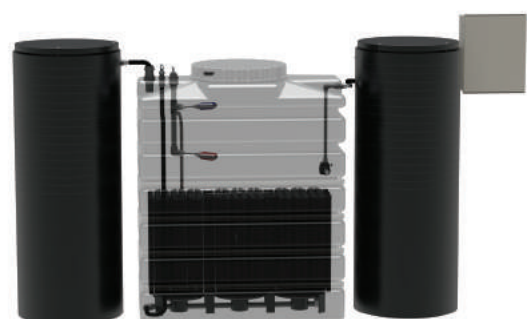
Application of installations using ground water:

- single- and multi-family houses
- industry and crafts
- boarding houses / dormitories / youth hostels / camping sites
- sports facilities

Stage 1 - sedimentation



Stage 2 – Biological treatment



GREYWATER RECYCLING

PROCESS BASED ON FIXED-BED REACTOR AND UV DISINFECTION



GW-FB 250

- Installation indoor
- Daily capacity 250 l
- Equipment Complete system consisting of 2 tanks of 350 l, a controller and mains water back-up supply and household water supply system
- Item No. G0003510

GW-FB 500

- Installation indoor
- Daily capacity 500 l
- Equipment Complete system consisting of 3 tanks (2x 350 l, 1x 1000 l), a controller and mains water back-up supply and household water supply system
- Item No. G0003511

Stage 3 – UV disinfection



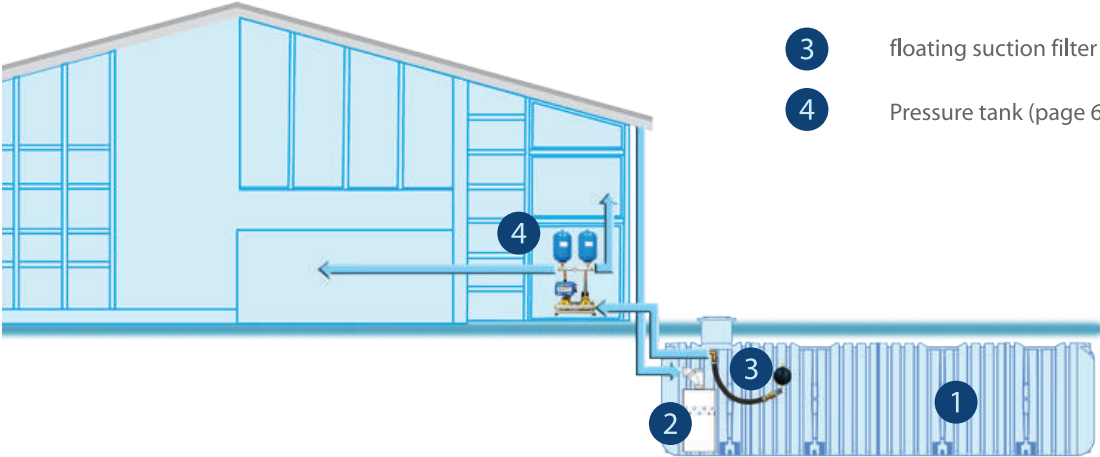
Stage 4 – service water tank



LARGE SYSTEMS FOR RAINWATER USE

Example of commercial rainwater harvesting with efficient booster system

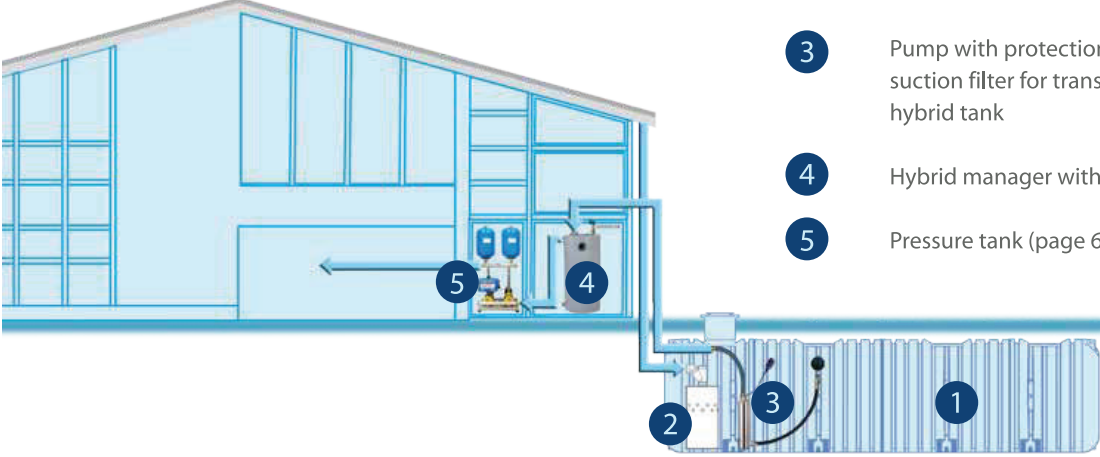
Large systems for the economic use of rainwater in hotels, boarding houses, sports and recreation facilities and enterprises. Environment-friendly and economic



- 1 Underground tank made of high-quality plastic with a telescopic dome quality and GreenLife stable design
- 2 Biovitor - for a patented, fully biological filtration of rainwater
- 3 floating suction filter
- 4 Pressure tank (page 66) supplying the receivers

Example of commercial rainwater harvesting with efficient booster system and hybrid technology

Large systems for the economic use of rainwater in hotels, boarding houses, sports and recreation facilities and enterprises. Environment-friendly and economic



- 1 Underground tank made of high-quality plastic with a telescopic dome quality and GreenLife stable design
- 2 Biovitor - for a patented, fully biological filtration of rainwater
- 3 Pump with protection against dry running, floating suction filter for transporting purified water to the hybrid tank
- 4 Hybrid manager with tap water supply
- 5 Pressure tank (page 66) supplying the receivers

HYBRID MANAGER / GHM

Hybrid managers hybrid are used for different types of process water (e.g. rainwater and purified greywater or rainwater from various underground tanks) are transferred from different tanks to a central location for storage and then they are pumped with a pressure tank to the water supply system in buildings.

They may be also necessary when the suction section of the pressure/suction pumps has adverse geotechnical conditions, or is too long. High operational reliability is ensured by solid switches floating in the hybrid tank and integrated power tap water supply.

Included the delivery:

- hybrid tank
- with mains water back-up in accordance with DIN EN 1717 (controlled by the floating switch)
- GUP 46 with protection against dry running and floating suction as the auxiliary feed pump
- 1 ¼" connection at the top of the hybrid tank for inflow from the auxiliary supply pump
- 1 ¼" connection at the bottom of the hybrid tank for the pressure tank
- 1 ¼" connection at the bottom of the hybrid tank for the draining ball valve
- siphon as an emergency overflow



GHM 0.14

	Item No.
■ GHM 0.14	G0002985
■ GHM 0.35	G0002986
■ GHM 0.50	G0002987
■ GHM 1.25	G0002988
■ GHM 4.0	G0003886

Additional auxiliary feed pump with protection against dry running, side floating suction element, 1 ¼" connection for supplying the hybrid tank and the floating switch for the control in the hybrid tank

- Item No.G0002993



GHM 0.35

The additional floating switch, as signal transmitter integrated in the hybrid tank

- Item No.G0002994



GHM 0.50



GHM 1.25



GHM 4.0

BOOSTER SYSTEMS

Booster system*

GreenLife booster systems are supplied as pre-assembled and tested. Twin pump stations are mounted on the bracket made of stainless steel and set on rubber shock absorbers to dampen the sounds and vibrations.

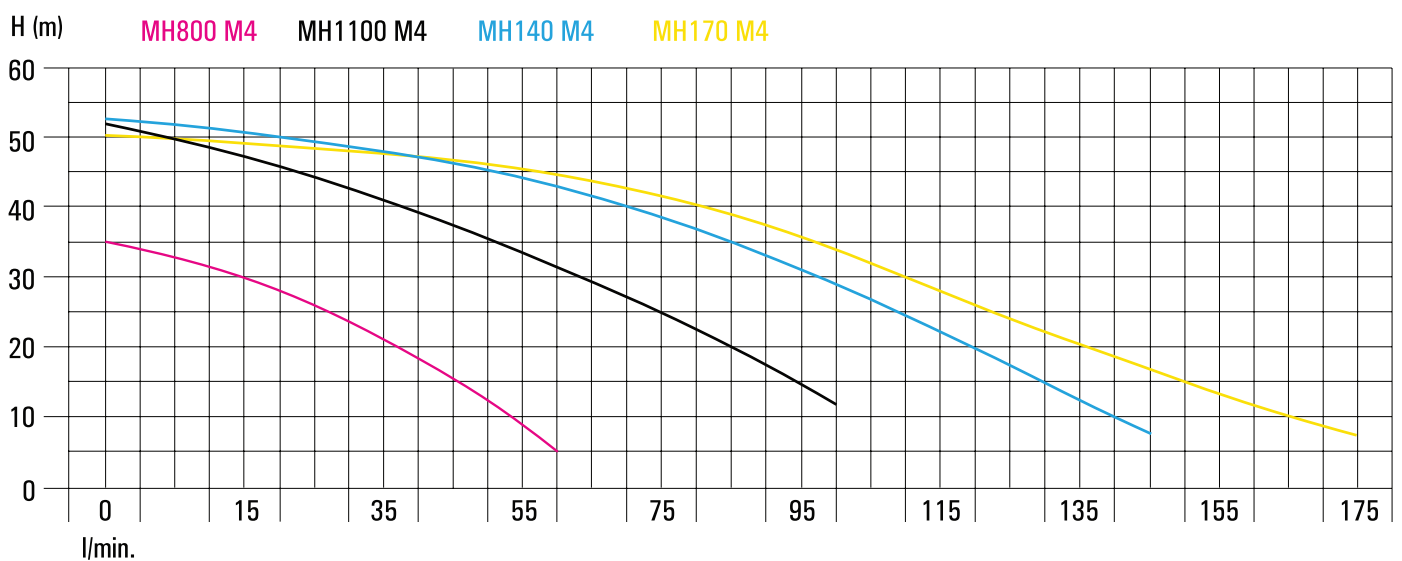
With our manifolds and distribution pipes made of stainless steel it is easy to incorporate components into complete systems. In addition, on each distributor pipe made of stainless steel you may mount 1 or 2 expansion vessels.

Each twin pump stations is equipped with protection against dry running and ART function (automatic reset test). After the protection against dry running is triggered, the device turns on automatically and checks for the water presence.

Automatic activation of the second pump during peak load, failure reporting and emergency switching over ensure high system availability.



Performance curve:



BOOSTER SYSTEMS

The manifold made of stainless steel has an additional inner thread 1.2", for connecting e.g. valves for filling and emptying. The distributor pipe made of stainless steel has another two internal threads 1" and three internal threads 1/4" for connecting expansion vessels, pressure gauges, pressure sensors etc.

Twin pump station MH 800 M4

■	max. pumping height:	35 m (3.5 bar)
	max. pump capacity	120 l/min
	max. power	1.6 kW
	max. operating pressure:	10 bar
	max. temp. of pumped medium:	40°C
	connections: suction pipe	2 x 1 1/2" AG
	discharge pipe:	2 x 1 1/2" AG
	voltage:	220 V
	frequency:	50 Hz
	length:	600
	width:	660
	height	1350
■	Item No.	G0002644

Twin pump station MH 1100 M4

■	max. pumping height:	52 m (5.2 bar)
	max. pump capacity	180 l/min
	max. power	2.2 kW
	max. operating pressure:	10 bar
	max. temp. of pumped medium:	40°C
	connections: suction pipe	2 x 1 1/2" AG
	discharge pipe:	2 x 1 1/2" AG
	voltage:	220 V
	frequency:	50 Hz
	length:	600
	width:	660
	height	1350
■	Item No.	G0002645

Twin pump station MH 145 M4

■	max. pumping height:	52 m (5.2 bar)
	max. pump capacity	290 l/min
	max. power	3.3 kW
	max. operating pressure:	12 bar
	max. temp. of pumped medium:	40°C
	connections: suction pipe	2 x 2" AG
	discharge pipe:	2 x 2" AG
	voltage:	220 V
	frequency:	50 Hz
	length:	600
	width:	660
	height	1350
■	Item No.	G0002891

Twin pump station MH 1100 M4

■	max. pumping height:	52 m (5.2 bar)
	max. pump capacity	340 l/min
	max. power	3.5 kW
	max. operating pressure:	12 bar
	max. temp. of pumped medium:	40°C
	connections: suction pipe	2 x 2" AG
	discharge pipe:	2 x 2" AG
	voltage:	220 V
	frequency:	50 Hz
	length:	600
	width:	660
	height	1350
■	Item No.	G0002770



GREENLIFE GMBH

PROFESSIONAL COMPETENCE AND OVER 20 YEARS
OF EXPERIENCE IN PLASTICS PROCESSING.
OWN PATENTED SOLUTIONS AND INTELLECTUAL PROPERTY RIGHTS.
DEVELOPMENT AND PRODUCTION OF WATER MANAGEMENT SYSTEMS.

Hotline for customers with technical questions +49 (0) 385 7733775 (German fixed line charges)