

Accessories

Grease separators for free-standing installation

Sampling chamber Ø 400

for separation systems

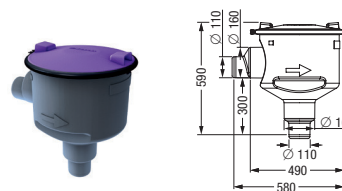
			Outer diameter Ø (mm)	Art. no.
Outlet lateral	<p>Compatibility: For connection to outlet pipe of separator, no ponding (allows accurate samples). Inlet and outlet Ø ... available options for synthetic material pipes in: PE-HD (according to EN 1519-1); PVC-HT, PP or AS</p> <p>Inclusive: Cover sealed odour-tight with snap closure</p> <p>Drop height: 120 mm</p>		Ø 110/Ø 160	915 871

Outlet vertical

Compatibility: For connection to outlet pipe of separator, no ponding (allows accurate samples). Inlet and outlet Ø ... available options for synthetic material pipes in: PE-HD (according to EN 1519-1); PVC-HT, PP or AS

Inclusive: Cover sealed odour-tight with snap closure

Drop height: 120 mm



Ø 110/Ø 160 915 870

Sampling chamber Ø 450

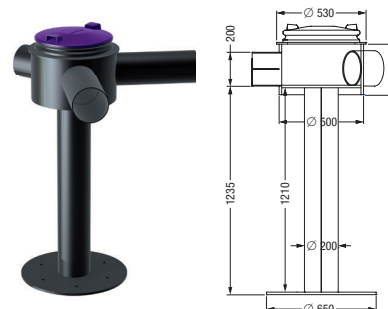
for separation systems

			Outer diameter Ø (mm)	Art. no.
Outlet lateral	<p>Compatibility: For connection to outlet pipe of separator, Inlet and outlet Ø 200 mm available options for synthetic material pipes in: PE-HD (according to EN 1519-1); PVC-HT, PP or AS</p> <p>Inclusive: Cover sealed odour-tight with snap closure</p> <p>Drop height: 160 mm</p>		Ø 200	915 863-IS

Polymer distribution box

for twin (parallel) separator systems

Compatibility: With inlet and outlet connection for polymer pipes made of: PE-HD (according to DIN 19537); PVC-HT, PP or AS.



Outer diameter
Ø (mm) Art. no.
Ø 110 915 700-100
Ø 160 915 700-150
Ø 200 915 700-200

Retrofit sets

		Outer diameter Ø (mm)	Art. no.
Direct	Inclusive: Direct disposal connection	-	913 101/D
Mix	Inclusive: Pump, refill inlet, 1 manual hand valve and direct disposal connection	NS 2 - 7 NS 10	913 101/DS 913 101/DS10
Auto Mix	Inclusive: Pump, refill inlet, inspection window, 2 solenoid valves, direct disposal connection and control unit	NS 2 - 7 NS 10	913 101/DSP 913 101/DSP10
Mix & Pump	Inclusive: Pump, refill inlet, inspection window, 1 manual hand valve, direct disposal connection and control unit	NS 2 - 7 NS 10	913 101/MS 913 101/MS10
Auto Mix & Pump	Inclusive: Pump, refill inlet, inspection window, 2 solenoid valves, direct disposal connection and control unit	NS 2 - 7 NS 10	913 101/PVS 913 101/PVS10

Accessories

Grease separators for free-standing installation

SonicControl level sensing system

for free-standing installation according to EN 1825

Art. no.

level sensing system

Inclusive: Ultra sonic sensor for electronic measurement, display and control of the grease layer thickness and the water temperature; power connection, battery back up, connection for remote speaker; installation set with easy assembly and maintenance; control unit with optical and audible alarm with potential free contact; electronic log book with 12 month capacity. Data transfer by telemetry.

Voltage: 230 V ~ 50 Hz

Protection type: IP 54

Plug: Schuko 1,5 m

Cable length: 10 m (extendable on-site to 60 meters)

917 821



Cable extension set for SonicControl FA

Art. no.

10 m extension

917 871

20 m extension

917 872

30 m extension

917 873



Refill inlet

for separation systems

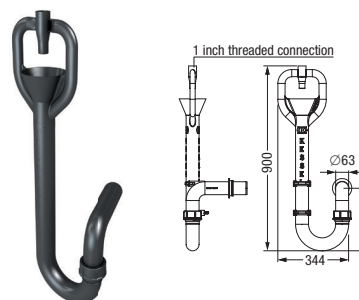
Art. no.

Refill inlet

Compatibility: According to DIN 1988, for connection to filling and rinsing connection of the separation systems for free-standing installation according to EN 1825

Inclusive: Two pipe clamps, element with pipe sealing gasket \varnothing 63

915 800



Inspection window

for separation systems *EasyClean free* according to EN 1825

Art. no.

Inspection window

Compatibility: For visual inspection of the thickness of the grease layer

Inclusive: High-gloss polished inspection glass, cleaning device, centimetre scale

Note: Only for installation by KESSEL certified workers

913 109



Accessories

Grease separators for free-standing installation

Remote control

for separation systems *EasyClean free* according to EN 1825

Art. no.

Remote control

Compatibility: Fits KESSEL Separation systems for free standing installation, for connection to an isolated ground socket

Version: Model Auto Mix & Pump and Auto Mix in accordance with EN 1825

Cable length: 15 m



916 601

Access panel

for separation systems

Width×Height×Depth
in mm

Art. no.

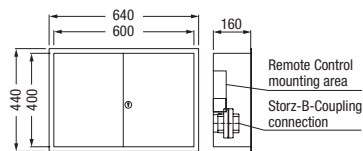
Recessed wall installation

Material: Stainless steel
Compatibility: For Storz-B disposal pipe hook up connection and remote control connection for use with fully automated grease separators. Remote control not included
Inclusive: 2 doors, lockable



640 × 440 × 160

917 414



Wall installation

Material: Stainless steel
Compatibility: For Storz-B disposal pipe hook up connection and remote control connection for use with fully automated grease separators. Remote control not included
Inclusive: 2 doors, lockable



600 × 400 × 160

917 413

