

## Grease separators *EasyClean* free Basic Standard NS 2 – 10 for free-standing installation

EN 1825 Z-54.1-474

Service side (left/right)

Inspection window (with/without)

Refill inlet (with/without)

The separator for fat containing wastewater is suitable for free-standing installation in frost protected areas and contains no metal parts in the chamber. The sampling chamber made of resistant polymer (PE) includes an integrated sludge trap. Two odour-resistant covers with quick-release closures allow easy access for cleaning and maintenance tasks. Requires disposal truck with vacuum system. The tank is opened during manual disposal.

**Warranty for polyethylene material:** 20 years

**Standard:** EN 1825

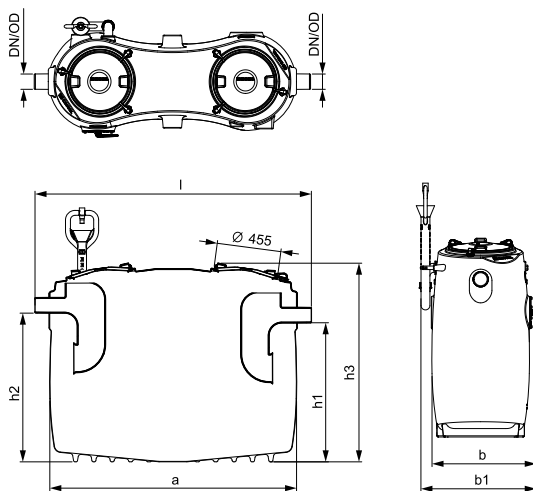
**Connection of inlet/outlet fittings:** PE-HD pipes according to DIN 19537, HT pipe according to DIN 19560 (PP or AS piping)

System fully assembled as supplied

➤ **Accessories:** Sampling chamber, lifting station page 23 – 25



Illustration shows Art. 94 004.32R



Direction of flow "left"		Direction of flow "right"
NS	Art. no.	Art. no.
Without accessories		
NS 2	94 002.10	94 002.10
NS 4	94 004.10	94 004.10
NS 7	94 007.10	94 007.10
NS 10	94 010.10	94 010.10
With inspection window		
NS 2	94 002.21L	94 002.21R
NS 4	94 004.21L	94 004.21R
NS 7	94 007.21L	94 007.21R
NS 10	94 010.21L	94 010.21R
With refill inlet		
NS 2	94 002.12L	94 002.12R
NS 4	94 004.12L	94 004.12R
NS 7	94 007.12L	94 007.12R
NS 10	94 010.12L	94 010.12R
With inspection window and refill inlet		
NS 2	94 002.32L	94 002.32R
NS 4	94 004.32L	94 004.32R
NS 7	94 007.32L	94 007.32R
NS 10	94 010.32L	94 010.32R

NS	Outer diameter Ø (mm)	Installation dimension l × b (mm)	b1 (mm)	h1 (mm)	h2 (mm)	h3 (mm)	Weight (kg)	Sludge trap (l)	Water and sludge (l)	Grease storage (l)	Total (incl. water) (l)
2	110	1560 × 700	850	985	1055	1420	80	200 l	460 l	80 l	660 l
4	110	1960 × 700	850	985	1055	1420	100	400 l	420 l	160 l	820 l
7	160	1960 × 920	1080	1185	1255	1670	150	700 l	670 l	280 l	1370 l
10	160	2610 × 920	1080	1185	1255	1670	170	1000 l	880 l	400 l	1880 l

Ø = Outer diameter    b1 = Set-up dimensions

EN 1825 Z-54.1-474